

Communication Path Decision Points – pg 0

- A** Utility System of Record for HAN device Join and Un-Join per offered program
- A1 **CIS / Billing - Utl**
 - A2 **MDMS**

- B** Which Utility or REP actor for DR-DLC or Price to Meter – Electr and HAN devices
- B1 **DSM**
 - B2 **LMS**

- C** What ESIs are in deployment?
- C1 **ESI - InMtr**
 - C2 **ESI - Utl**
 - C3 **ESI - 3rd Pty**

- D** What Meters are in deployment?
- D1 **Meter - E**
 - D2 **Meter - G**
 - D3 **Meter - W**

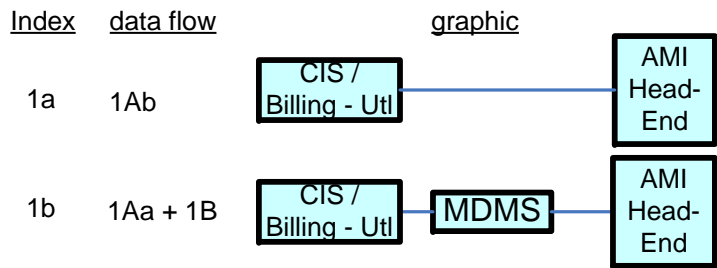
- E** What HAN devices are in deployment?
- E1 **IPD**
 - E2 **Custr EMS**
 - E3 **PCT**
 - E4 **Load Cntl Device**
 - E5 **EVSE/EUMD**
 - E6 **SmtAppl**
 - E7 **Meter - E**
 - E8 **Meter - G**
 - E9 **Meter - W**

- F** Which DAC is in deployment?
- F1 **DAC - Ops**
 - F2 **DAC - Distr**

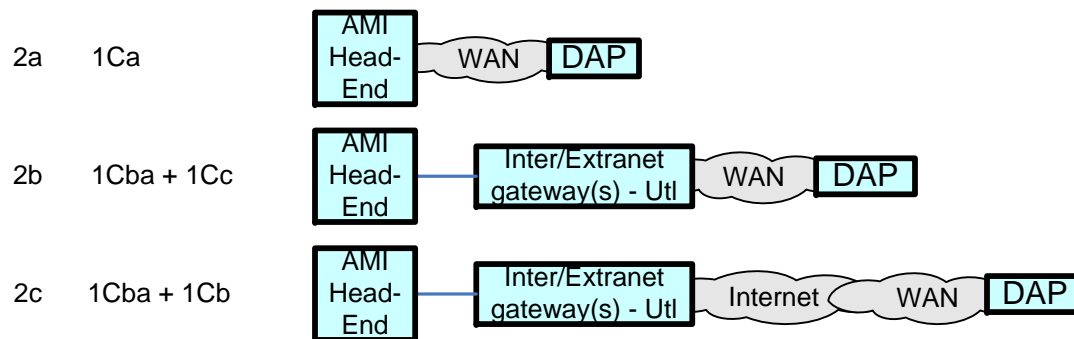
- G** What Feeder devices are in deployment?
- G1 **Regulator**
 - G2 **Cap Bank**
 - G3 **Fird Sensor**
 - G4 **Sectionalizer**
 - G5 **Switch**
 - G6 **Recloser**
 - G7 **Distr Cust Str**
 - G8 **Distr Cust Gen**

Communication Path Decision Points – pg 1

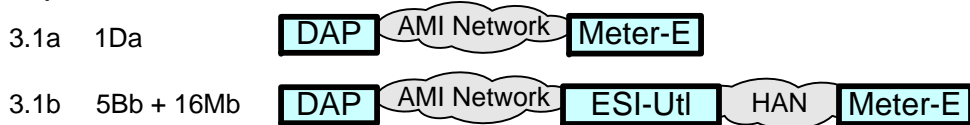
1) CIS/Billing – Utl comm with AMI Head-End



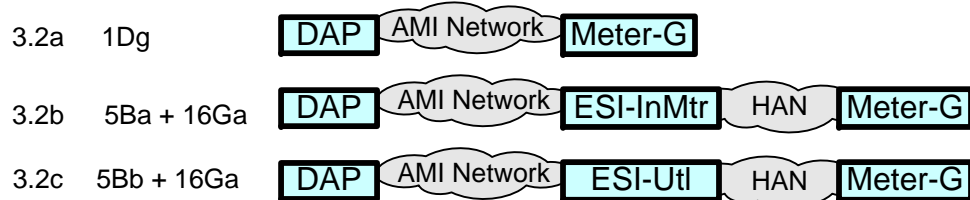
2) AMI Head-End comm with DAP



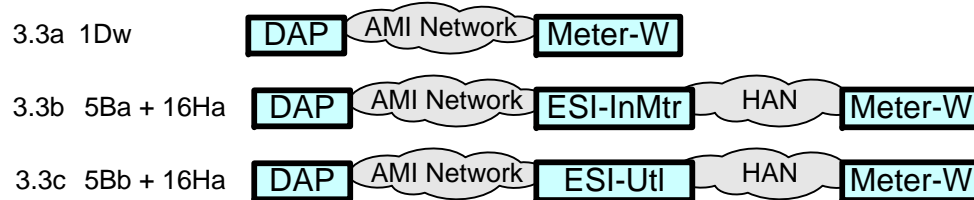
3.1) DAP comm with Meter - Electr



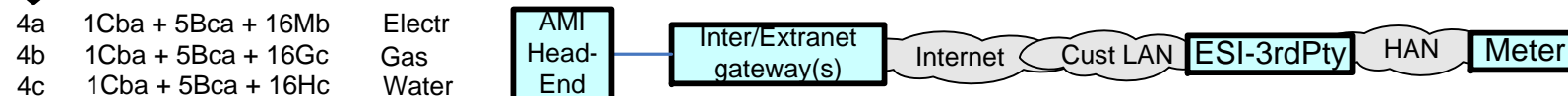
3.2) DAP comm with Meter - Gas



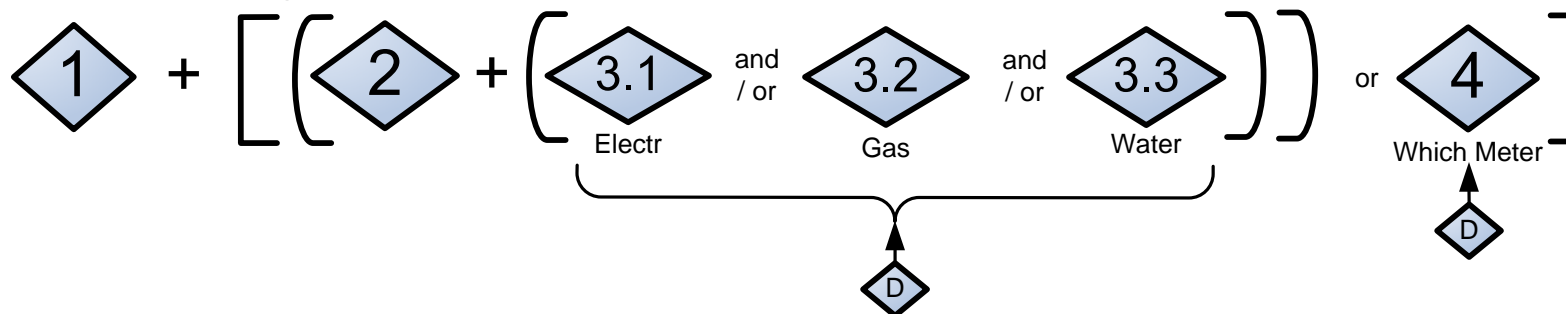
3.3) DAP comm with Meter - Water



4) AMI Head-End comm with Meters via ESI 3rd Party

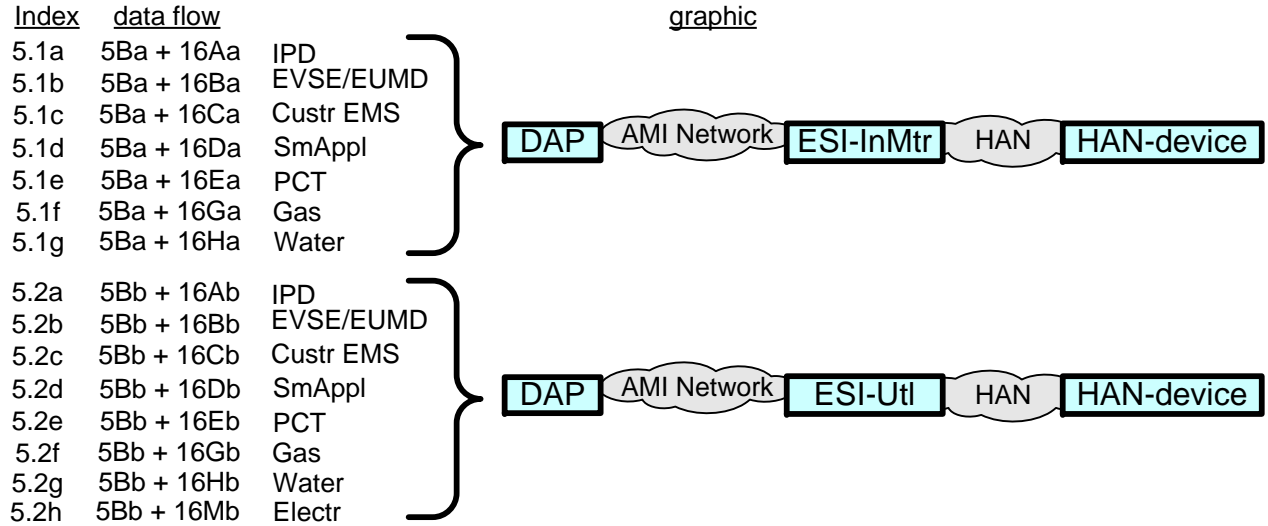


CIS/Billing - Utl comm with Meter(s) Decision Set

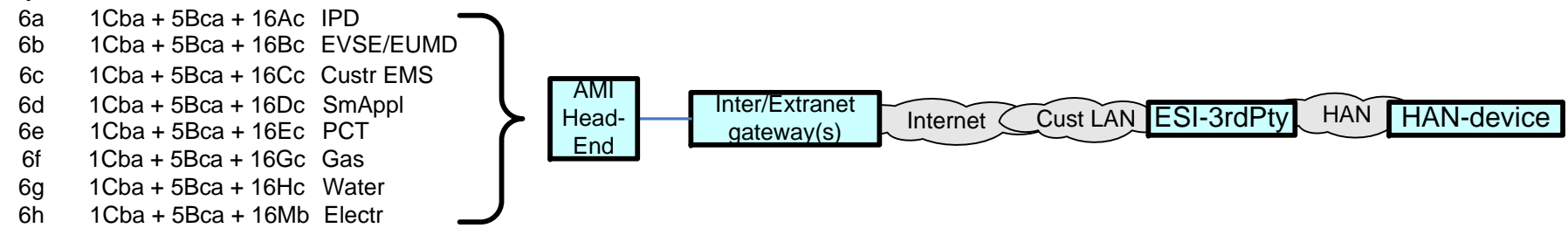


Communication Path Decision Points – pg 2

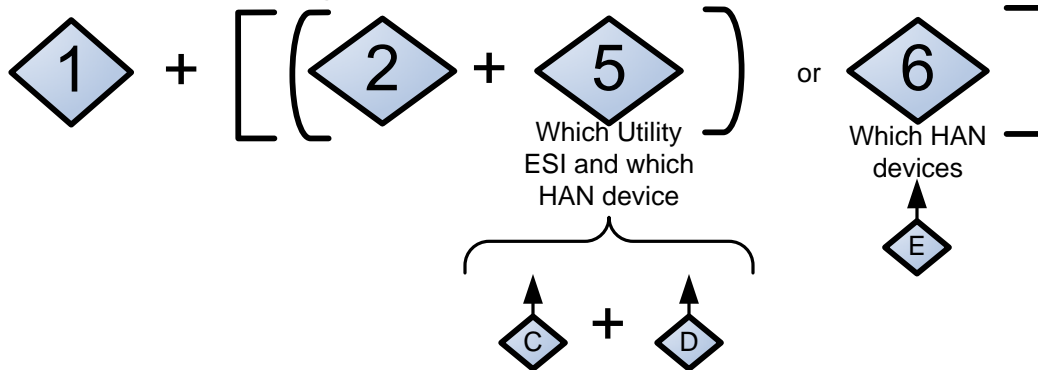
5 DAP comm with HAN devices via Utility ESIs



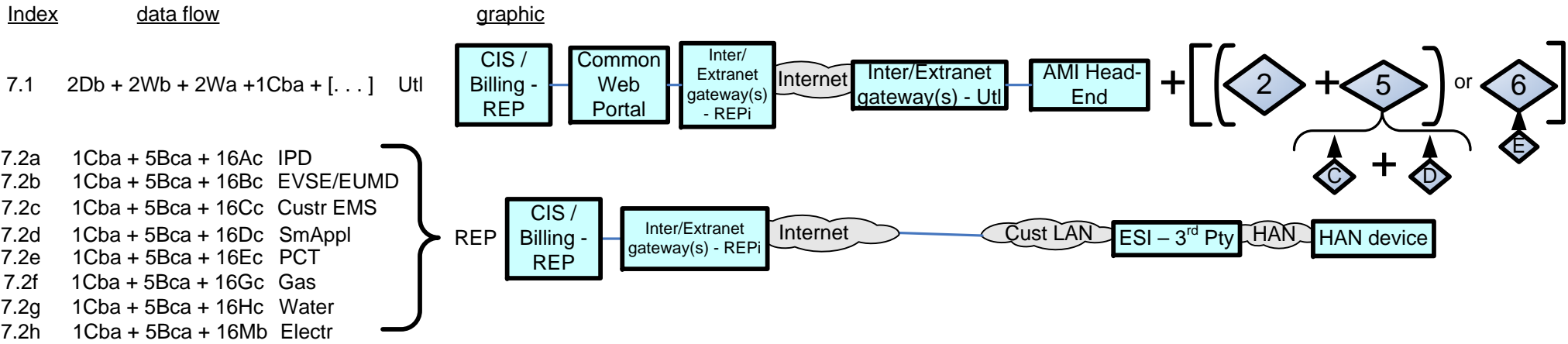
6 AMI Head-End comm with HAN devices via ESI 3rd Party



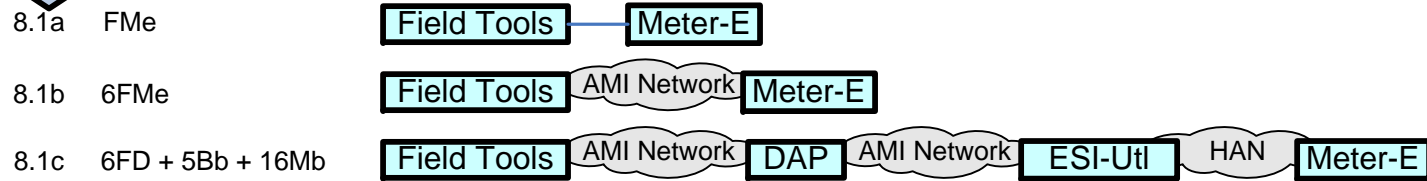
CIS/Billing - Utl comm with HAN devices Decision Set



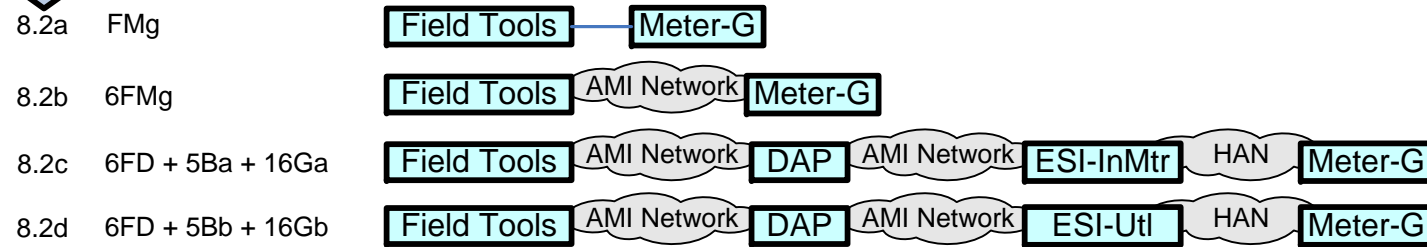
7 CIS/Billing – REP comm with HAN devices



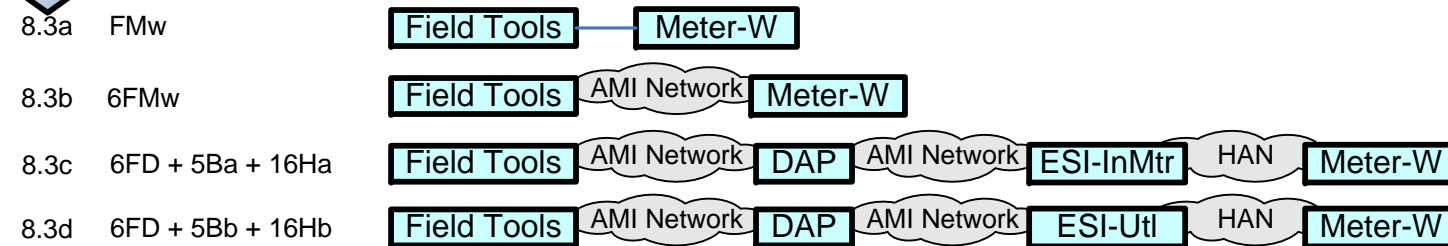
8.1 Field Tools comm with Meter - Electr



8.2 Field Tools comm with Meter - Gas

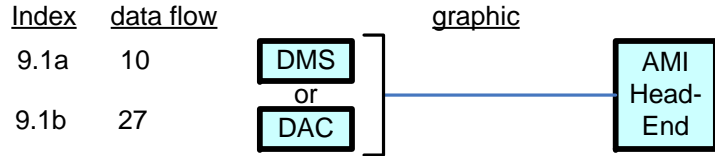


8.3 Field Tools comm with Meter - Water

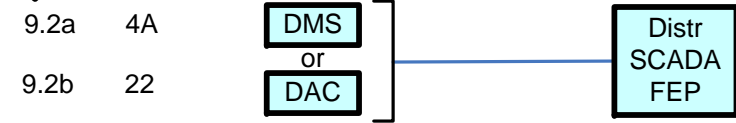


Communication Path Decision Points – pg 4

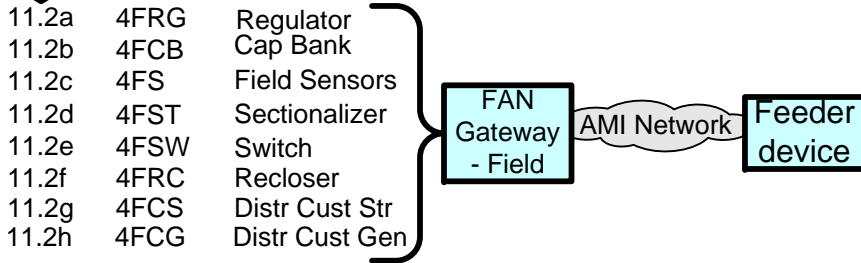
9.1 Distr Ops Actor comm with AMI Head-End



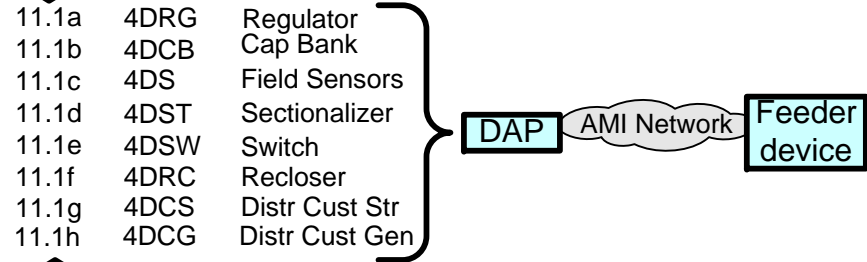
9.2 Distr Ops Actor comm with Distr SCADA FEP



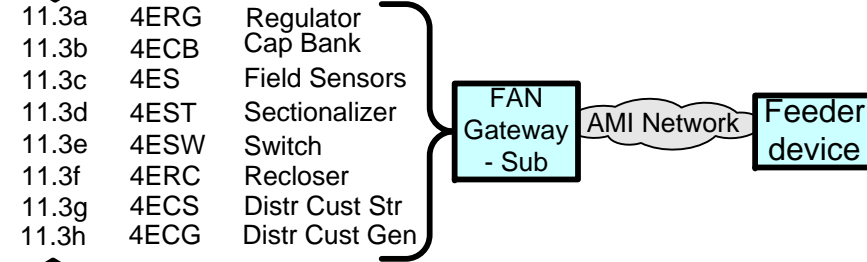
11.2 Fan Gateway - Field comm with Feeder device



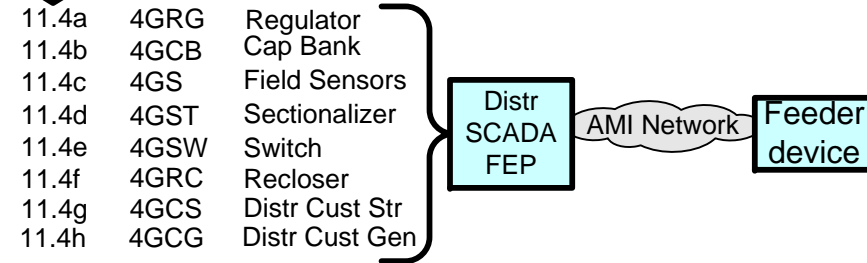
11.1 DAP comm with Feeder device



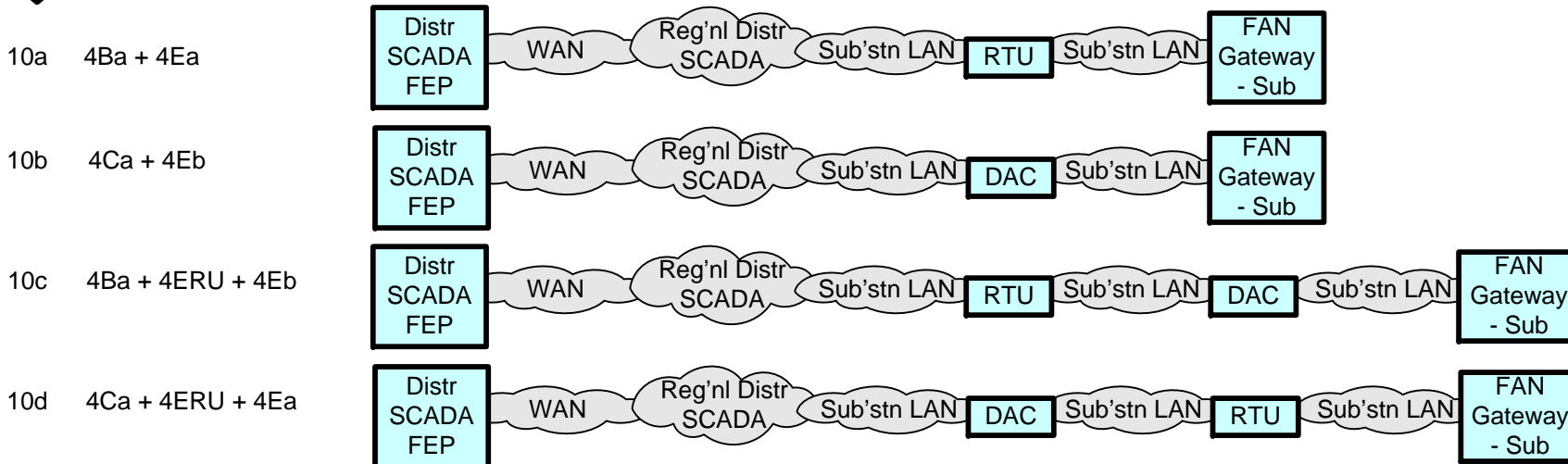
11.3 Fan Gateway - Substation comm with Feeder device



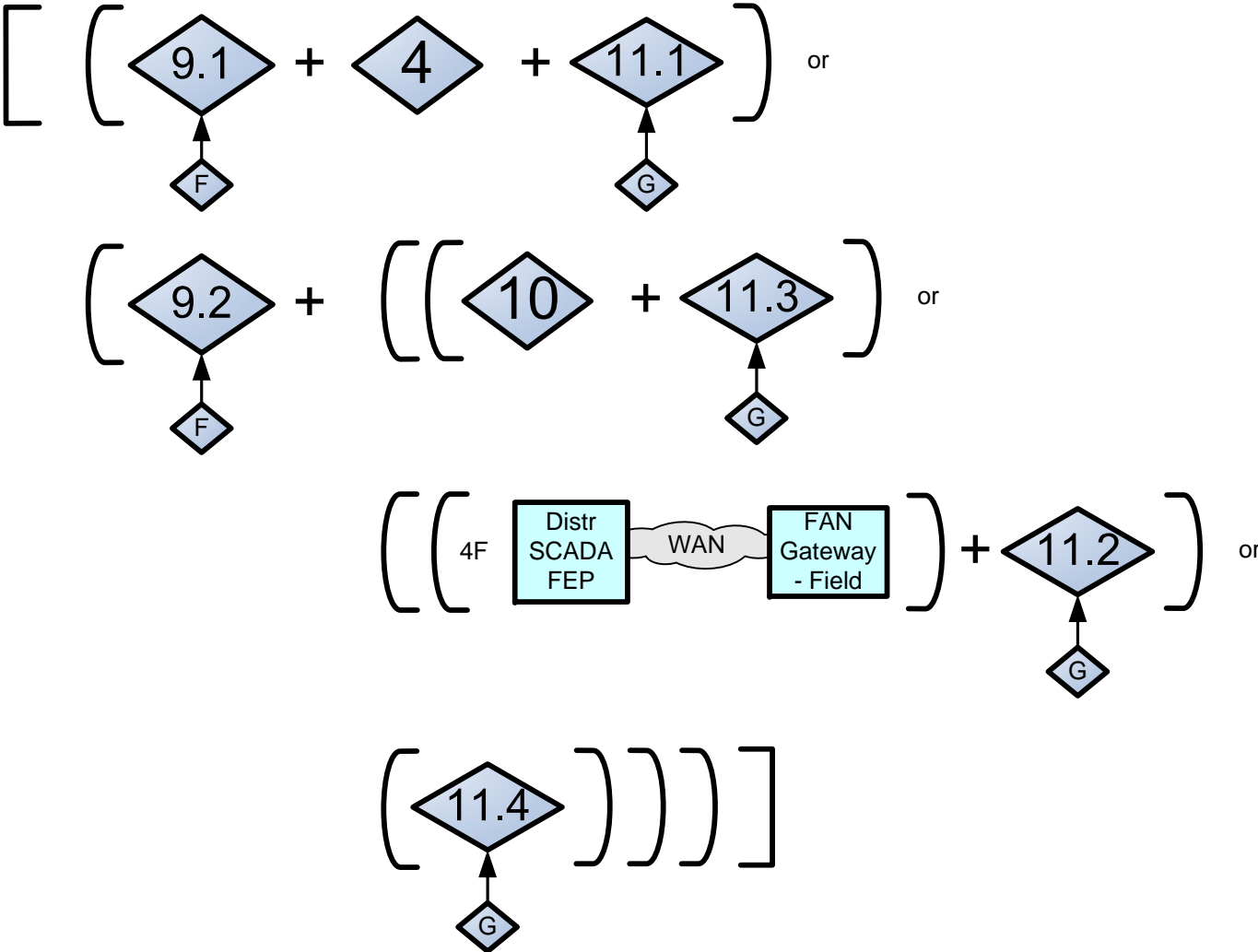
11.4 Fan Gateway - Substation comm with Feeder device



10 Distr SCADA FEP comm with FAN Gateway



Distr Ops Actor comm with Feeder device Decision Set



12

Distr Ops Actor comm with Distr Substation devices

Index data flow graphic

tbd

13

Field Tools comm with Feeder devices

tbd