

Communication Path Decision Points – pg 0

A Utility System of Record for HAN device Join and Un-Join per offered program

A1 **CIS / Billing - Utl**

A2 **MDMS**

B Which Utility or REP actor for DR-DLC or Price to Meter – Electr and HAN devices

B1 **DSM**

B2 **LMS**

C What ESIs are in deployment?

C1 **ESI - InMtr**

C2 **ESI - Utl**

C3 **ESI - 3rd Pty**

D What Meters are in deployment?

D1 **Meter - E**

D2 **Meter - G**

D3 **Meter - W**

E What HAN devices are in deployment?

E1 **IPD**

E2 **Custr EMS**

E3 **PCT**

E4 **Load Cntl Device**

E5 **EVSE/EUMD**

E6 **SmtAppl**

E7 **Meter - E**

E8 **Meter - G**

E9 **Meter - W**

F Which DAC is in deployment?

F1 **DAC - Ops**

F2 **DAC - Distr**

G What Feeder devices are in deployment?

G1 **Regulator**

G2 **Cap Bank**

G3 **Firld Sensor**

G4 **Sectionalizer**

G5 **Switch**

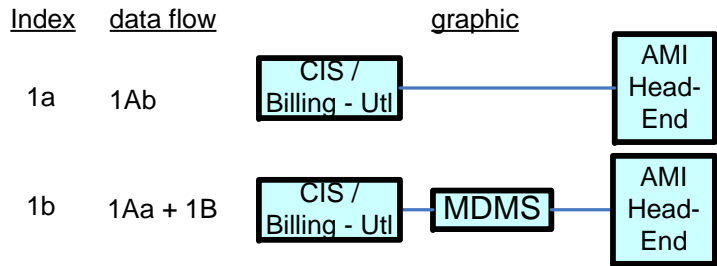
G6 **Recloser**

G7 **Distr Cust Str**

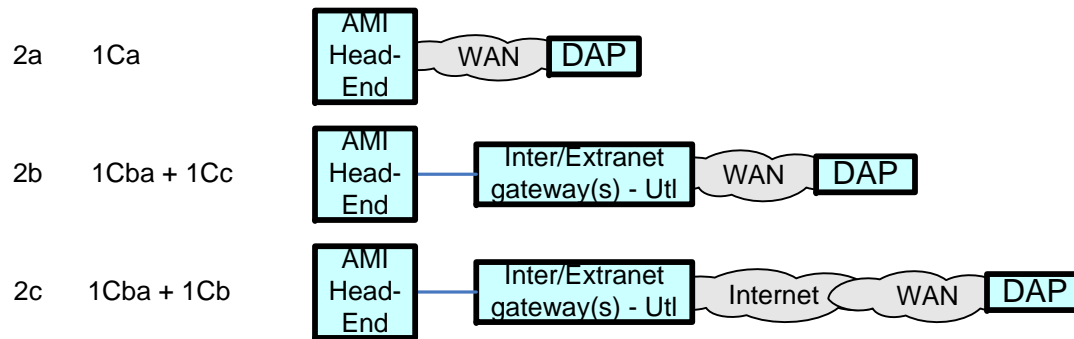
G8 **Distr Cust Gen**

Communication Path Decision Points – pg 1

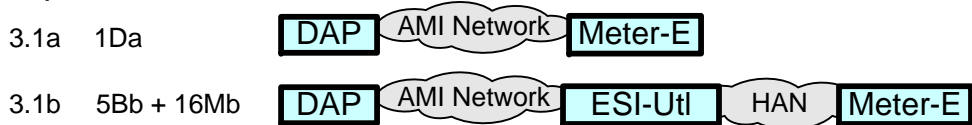
1 CIS/Billing – Utl comm with AMI Head-End



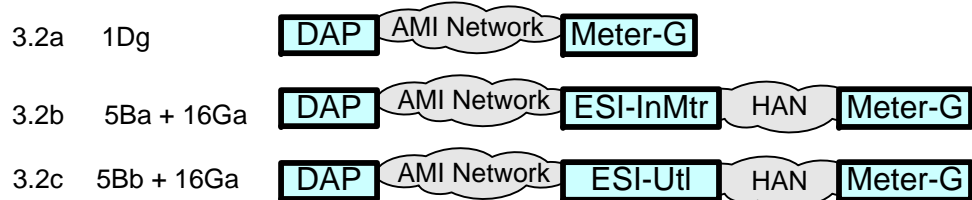
2 AMI Head-End comm with DAP



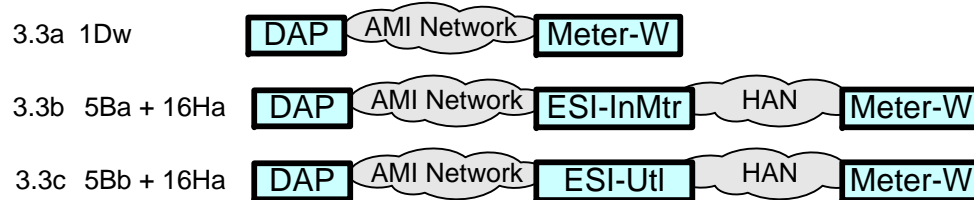
3.1 DAP comm with Meter - Electr



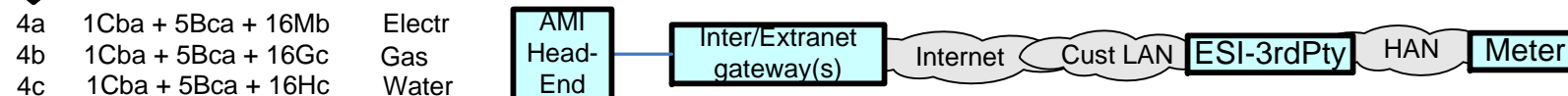
3.2 DAP comm with Meter - Gas



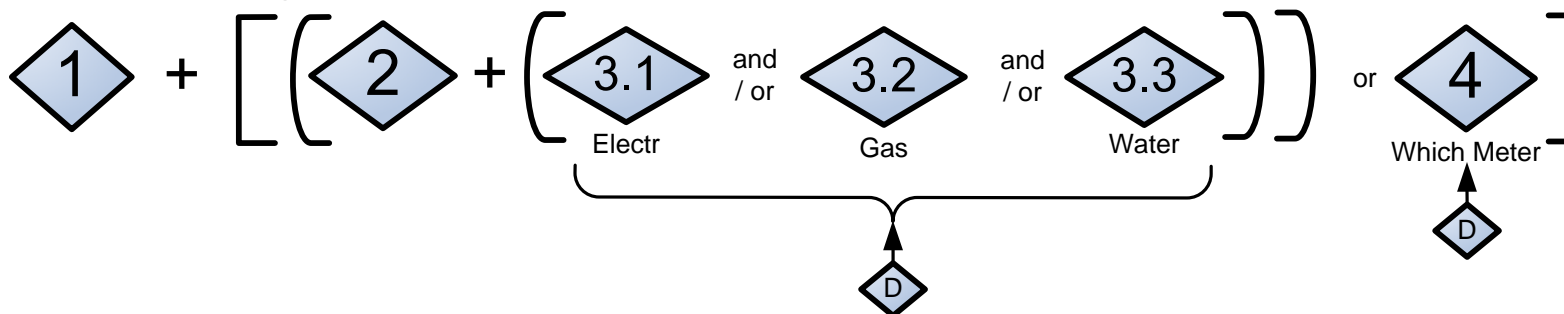
3.3 DAP comm with Meter - Water



4 AMI Head-End comm with Meters via ESI 3rd Party

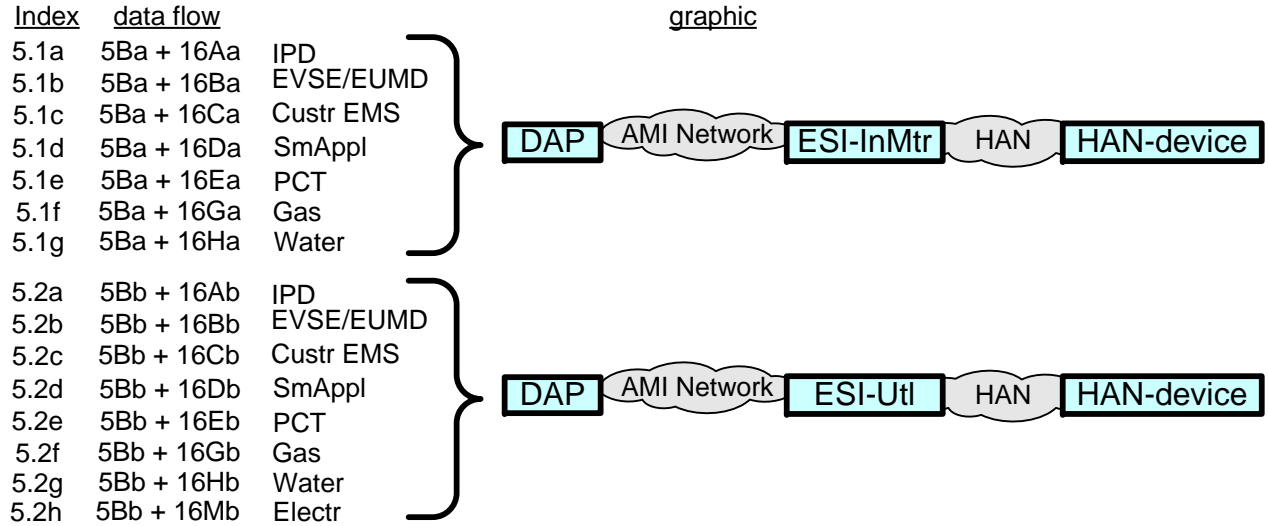


CIS/Billing - Utl comm with Meter(s) Decision Set

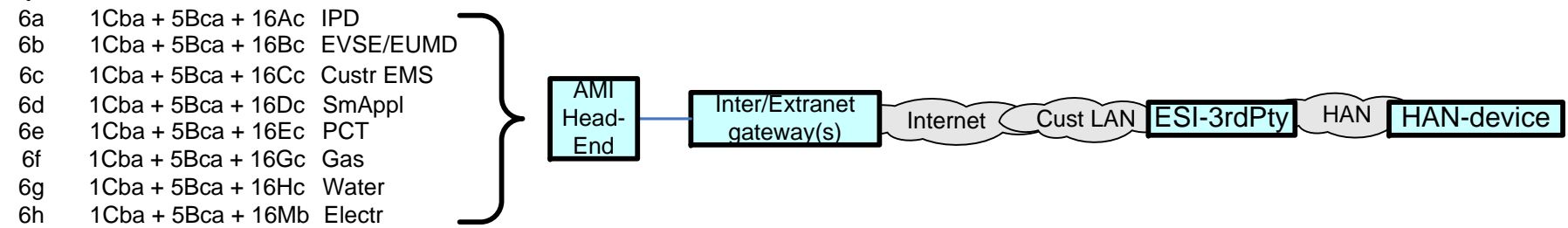


Communication Path Decision Points – pg 2

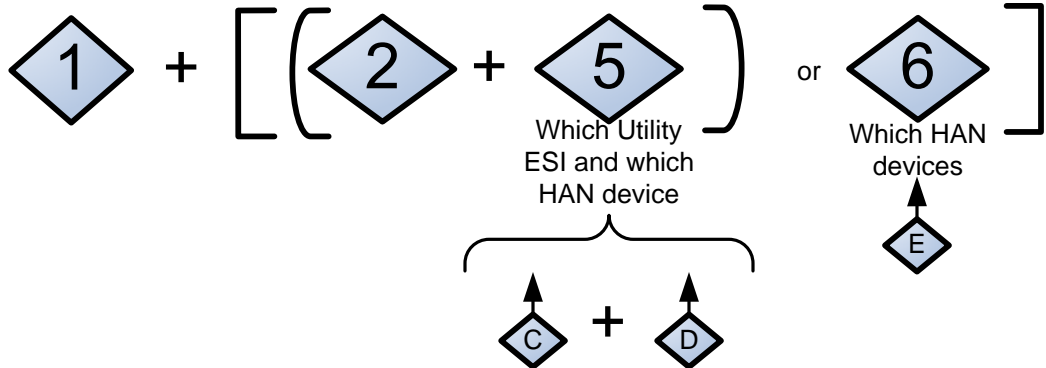
5 DAP comm with HAN devices via Utility ESIs



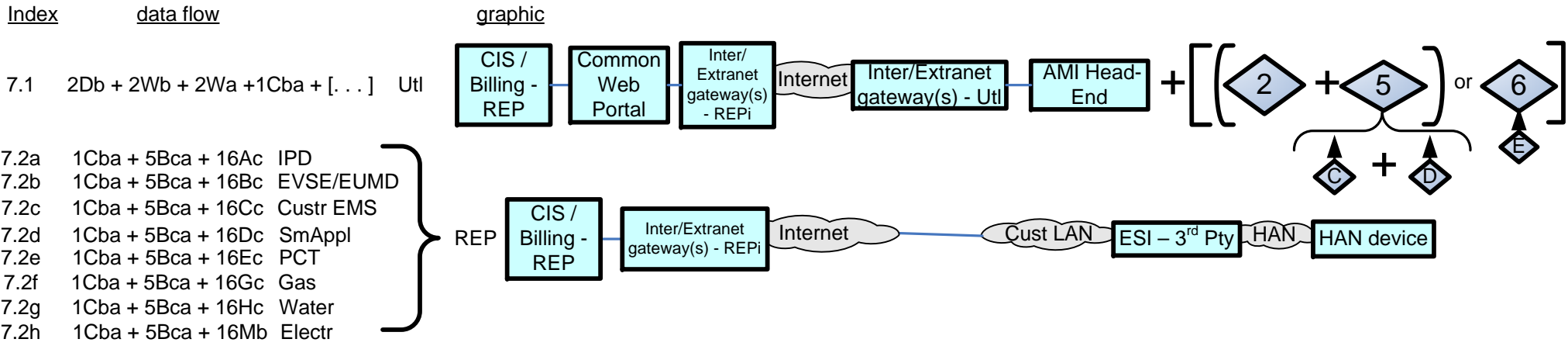
6 AMI Head-End comm with HAN devices via ESI 3rd Party



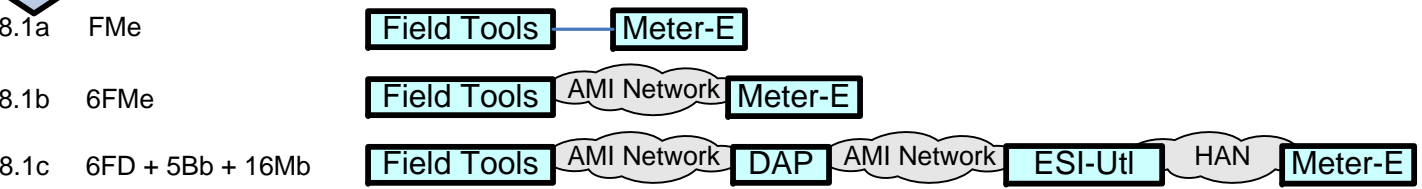
CIS/Billing - Utl comm with HAN devices Decision Set



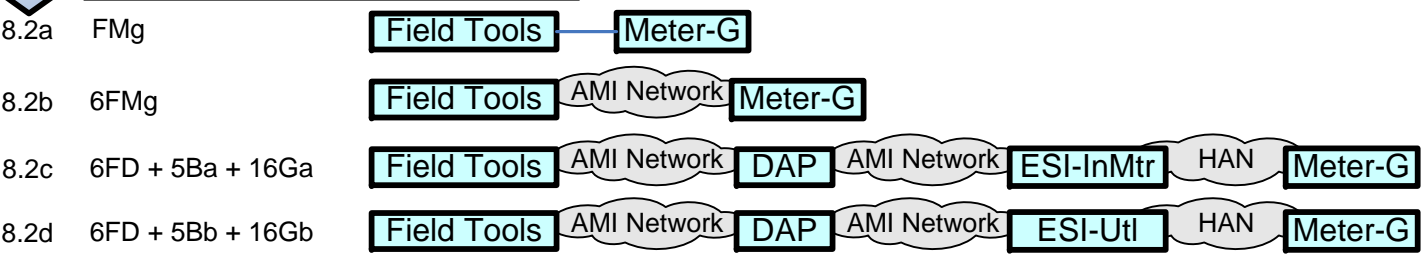
7 CIS/Billing – REP comm with HAN devices



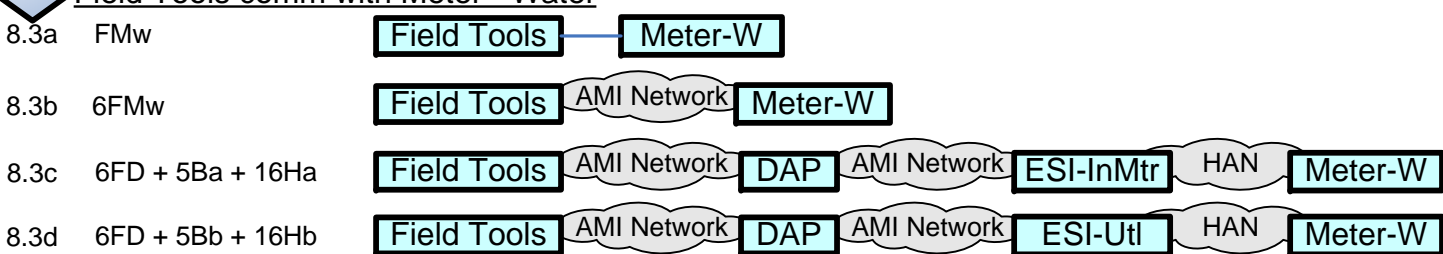
8.1 Field Tools comm with Meter - Electr



8.2 Field Tools comm with Meter - Gas

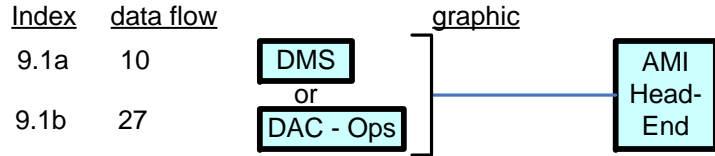


8.3 Field Tools comm with Meter - Water

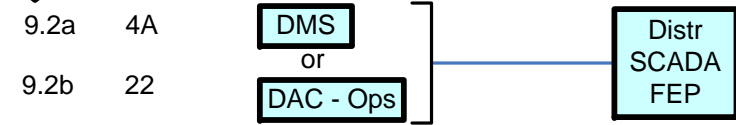


Communication Path Decision Points – pg 4

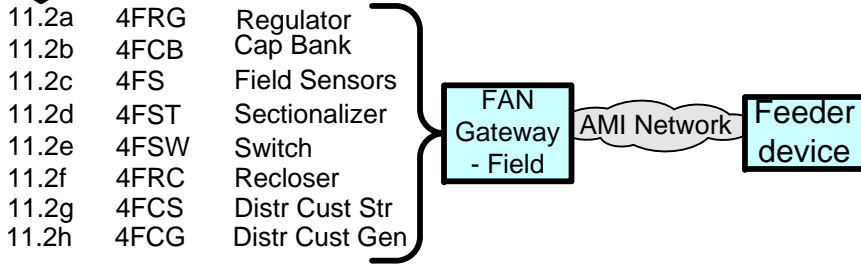
9.1 Distr Ops Actor comm with AMI Head-End



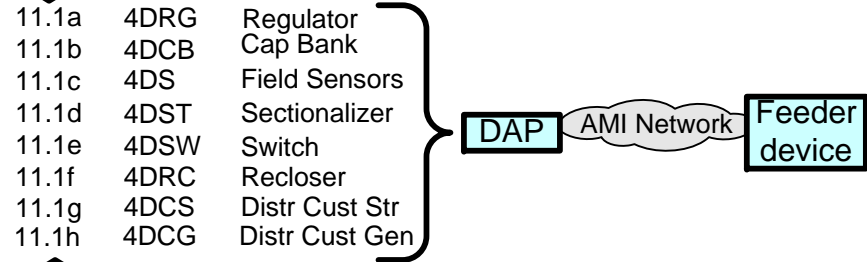
9.2 Distr Ops Actor comm with Distr SCADA FEP



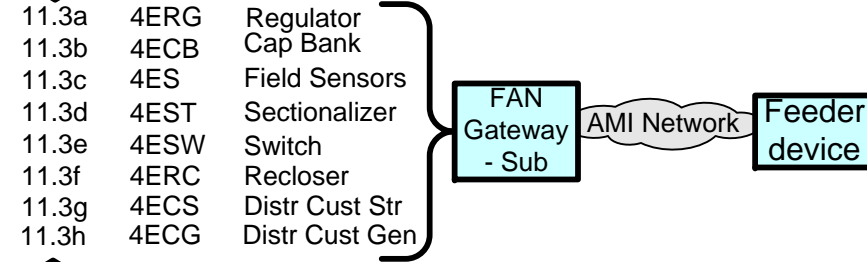
11.2 Fan Gateway - Field comm with Feeder device



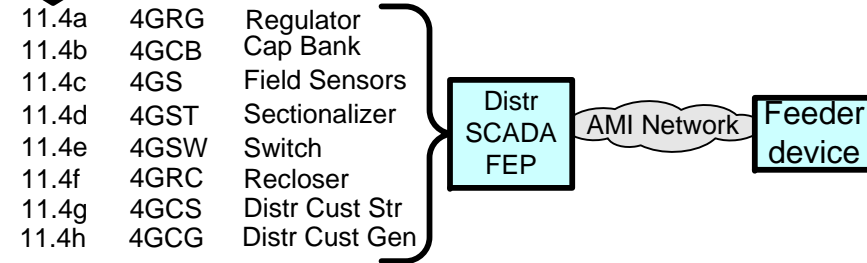
11.1 DAP comm with Feeder device



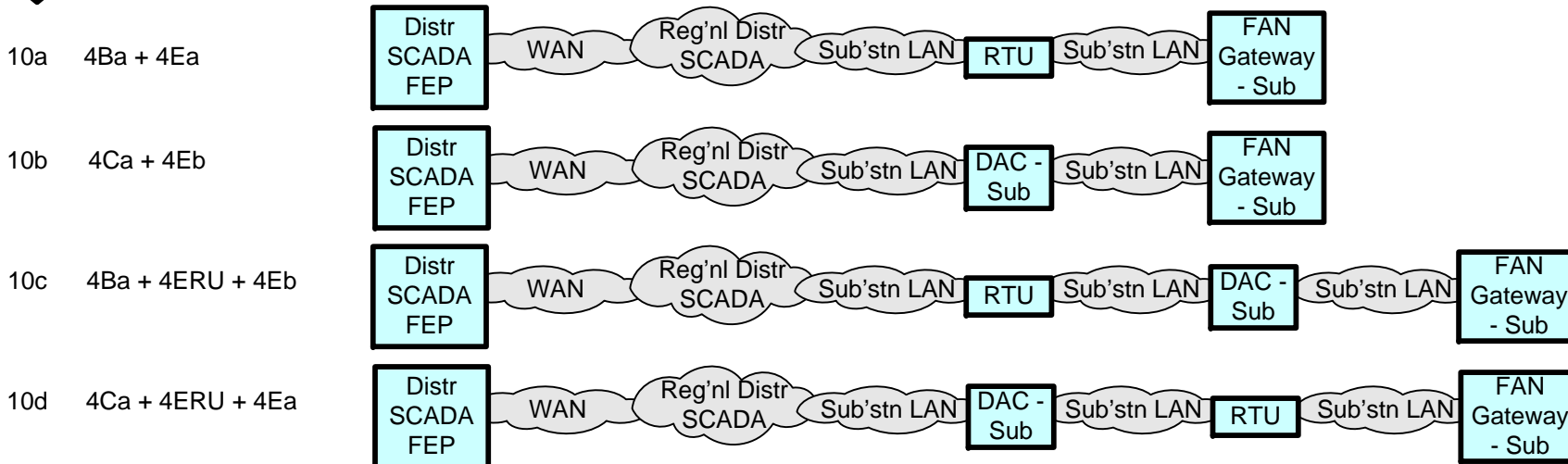
11.3 Fan Gateway - Substation comm with Feeder device



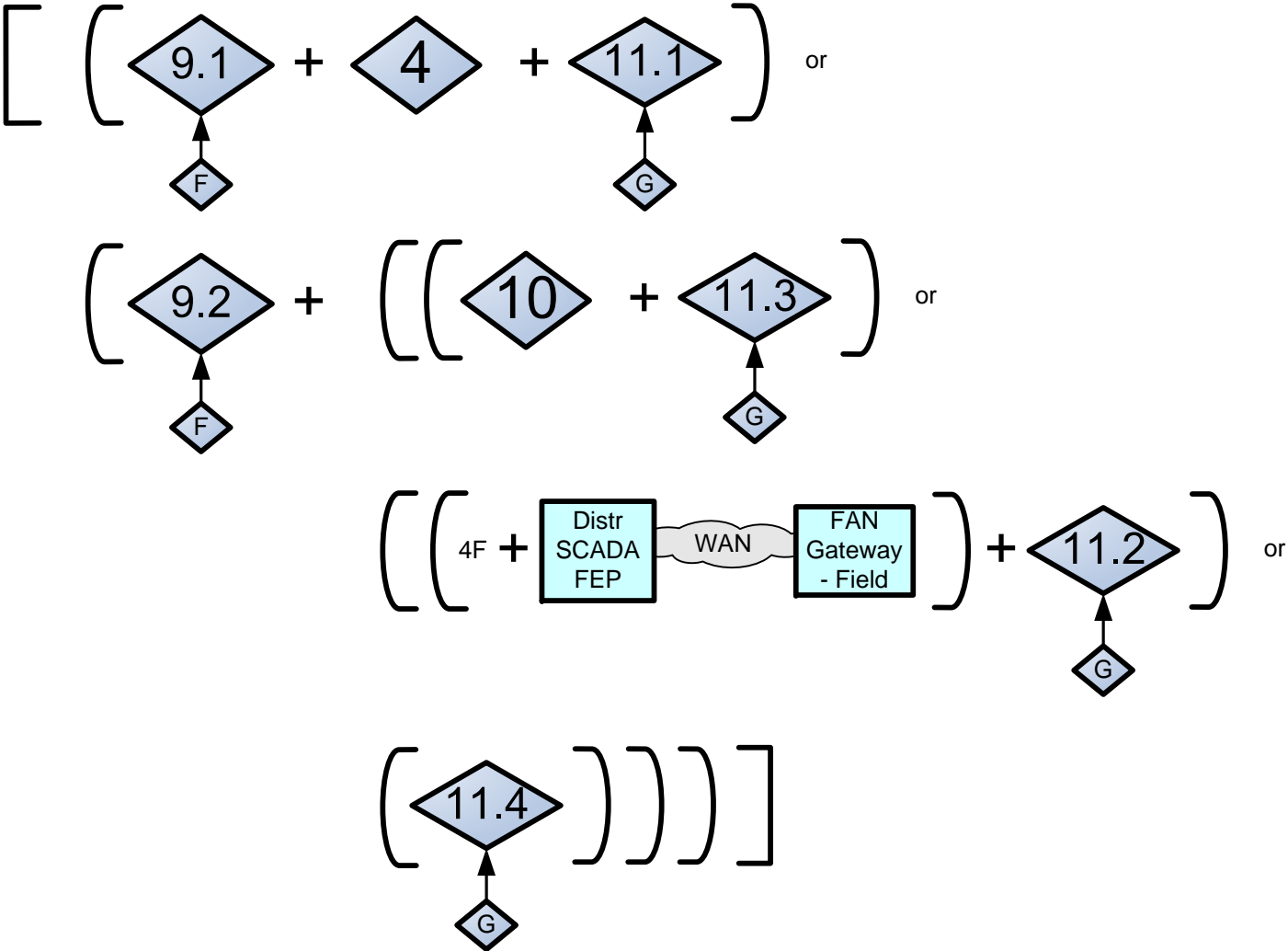
11.4 Distr SCADA FEP comm with Feeder device



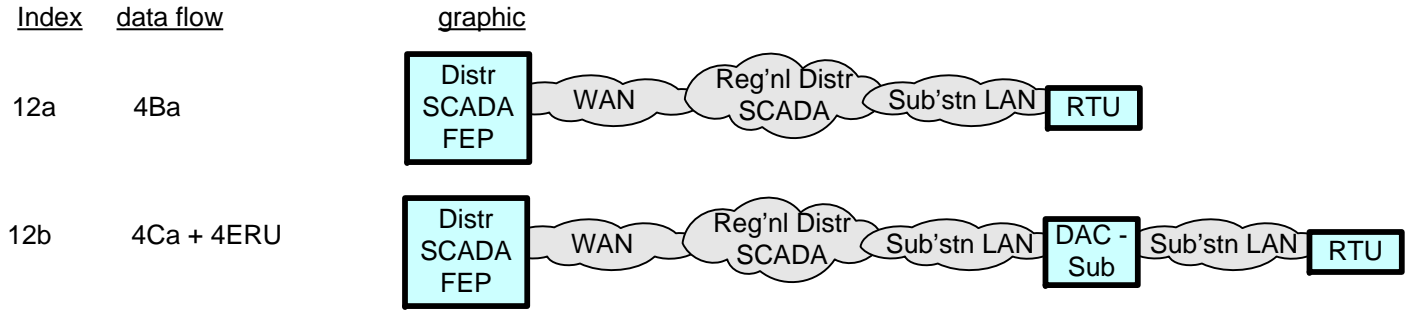
10 Distr SCADA FEP comm with FAN Gateway



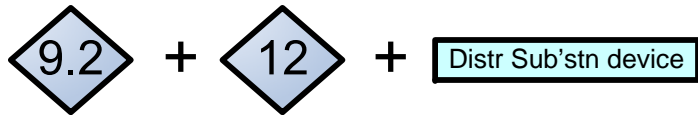
Distr Ops Actor comm with Feeder device Decision Set



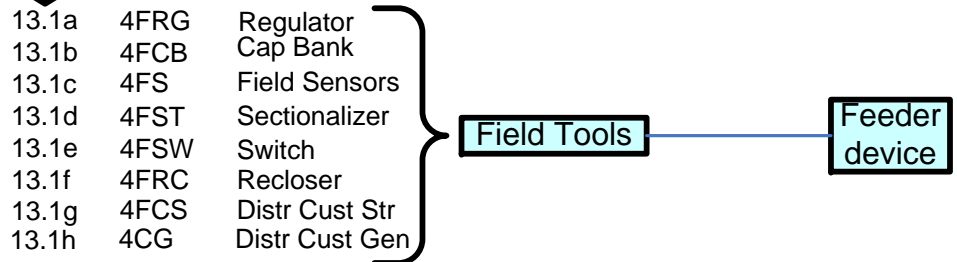
12 Distr SCADA FEP comm with Distr Substation RTU



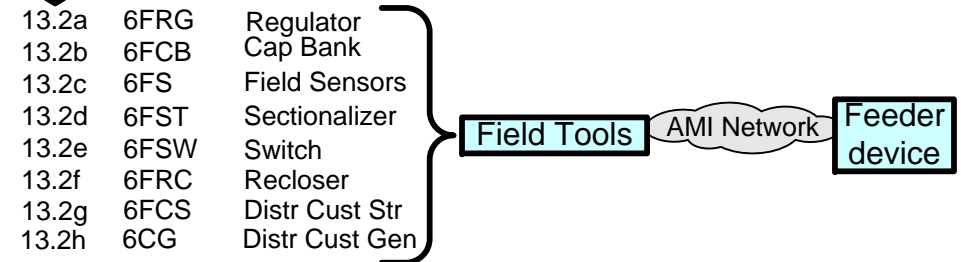
Distr Ops Actor comm with Distr Substation device Decision Set



13.1 Field Tools comm with Feeder devices - direct



13.2 Field Tools comm with Feeder devices via FAN



Distr SCADA FEB comm with Feeder device Decision Set

