

# Communication Path Decision Points – pg 0

**A** Utility System of Record for HAN device Join and Un-Join per offered program

A1 **CIS / Billing - Utility**

A2 **MDMS**

**B** Which Utility or REP actor for DR-DLC or Price to Meter – Electr and HAN devices

B1 **DSM**

B2 **LMS**

**C** What ESIs are in deployment?

C1 **ESI - InMtr**

C2 **ESI - Utl**

C3 **ESI – 3<sup>rd</sup> Pty**

**D** What Meters are in deployment?

D1 **Meter-2way - electr**

D2 **Meter-2way - gas**

D3 **Meter-2way - water**

**E** What HAN devices are in deployment?

E1 **IPD**

E2 **Custr EMS**

E3 **PCT**

E4 **Load Cntl Device**

E5 **EVSE/EUMD**

E6 **SmtAppl**

E7 **Meter - E**

E8 **Meter - G**

E9 **Meter - W**

**F** Which DAC is in deployment?

F1 **DAC - Ops**

F2 **DAC - Distr**

**G** What Feeder devices are in deployment?

G1 **Regulator**

G2 **Cap Bank**

G3 **Fird Sensor**

G4 **Sectionalizer**

G5 **Switch**

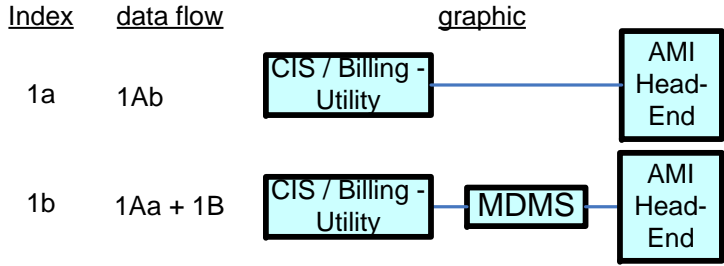
G6 **Recloser**

G7 **Distr Cust Str**

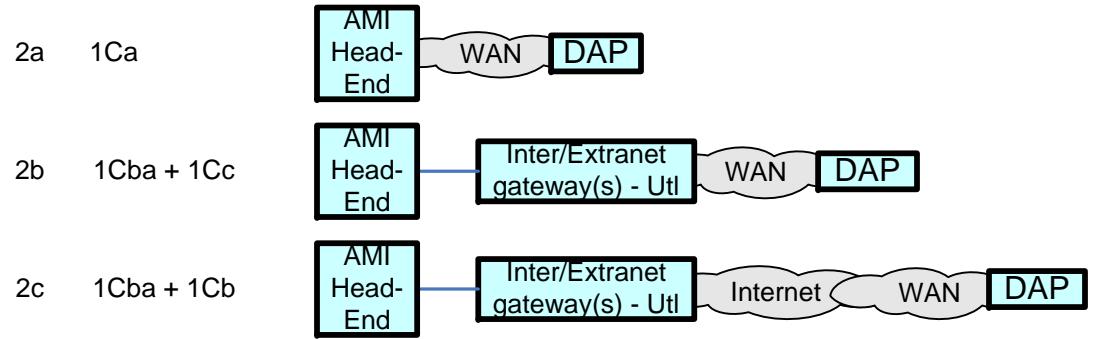
G8 **Distr Cust Gen**

# Communication Path Decision Points – set 1

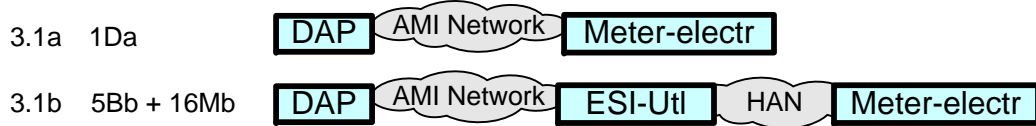
## 1 CIS/Billing – Utility comm with AMI Head-End



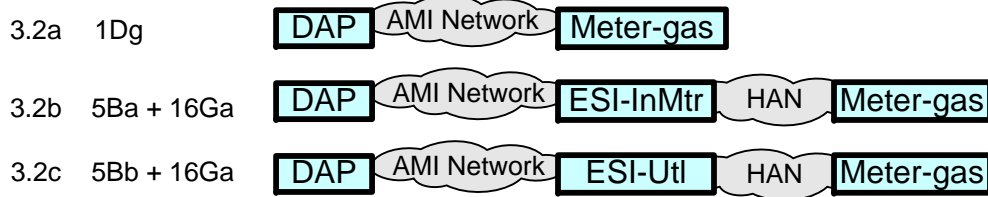
## 2 AMI Head-End comm with DAP



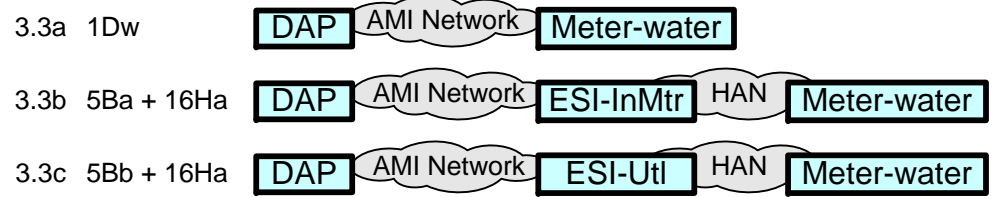
## 3.1 DAP comm with Meter - Electr



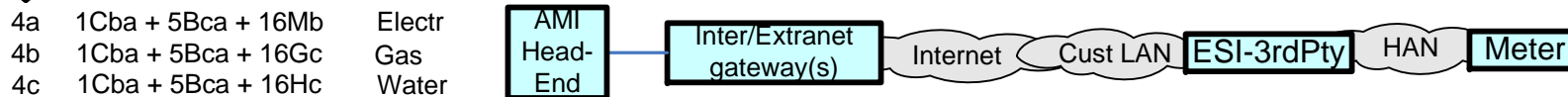
## 3.2 DAP comm with Meter - Gas



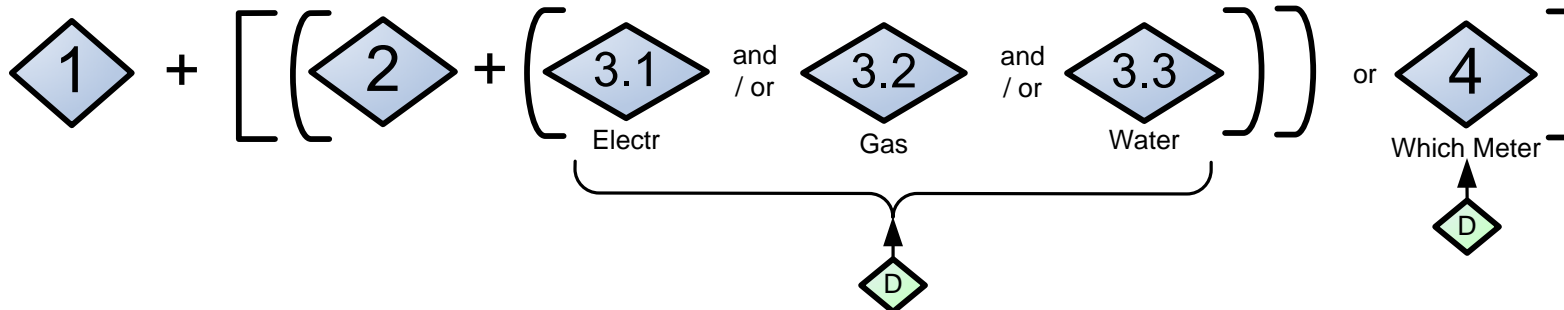
## 3.3 DAP comm with Meter - Water



## 4 AMI Head-End comm with Meters via ESI 3<sup>rd</sup> Party

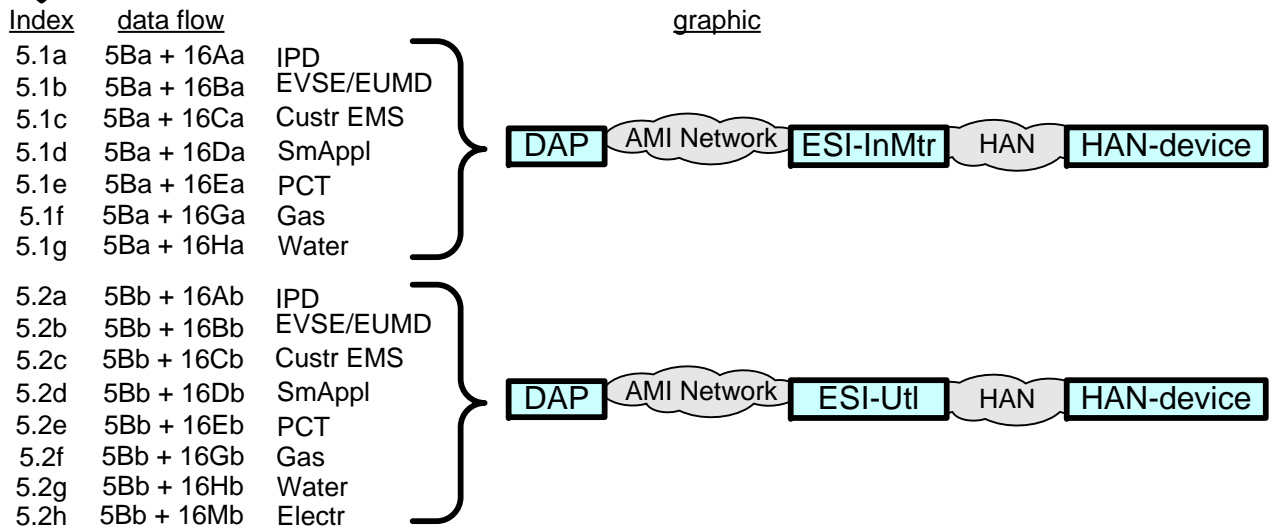


## CIS / Billing - Utility comm with Meter(s) Decision Set

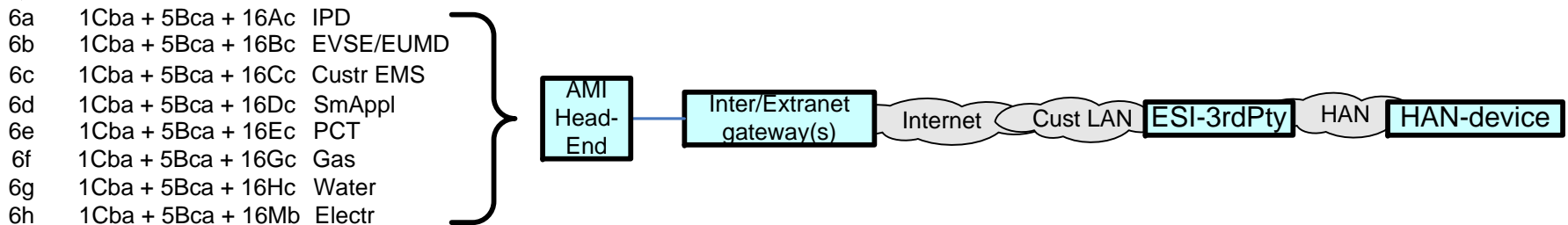


# Communication Path Decision Points – set 2

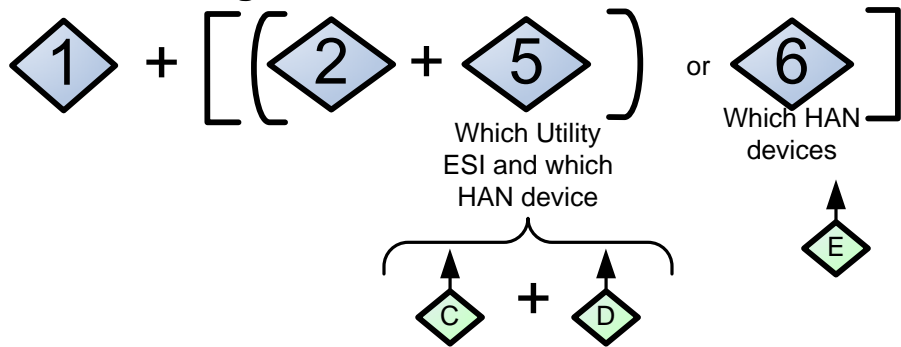
## 5 DAP comm with HAN devices via Utility ESIs



## 6 AMI Head-End comm with HAN devices via ESI 3<sup>rd</sup> Party

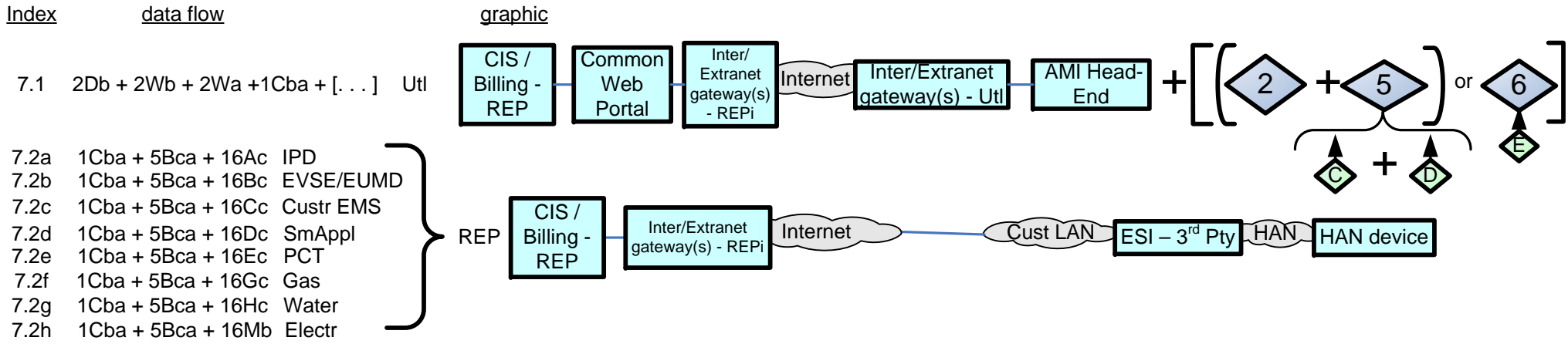


### CIS/Billing - Utl comm with HAN devices Decision Set

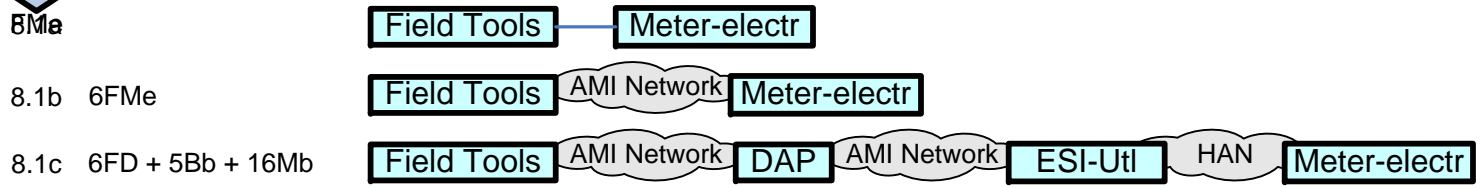


**7** CIS/Billing – REP comm with HAN devices

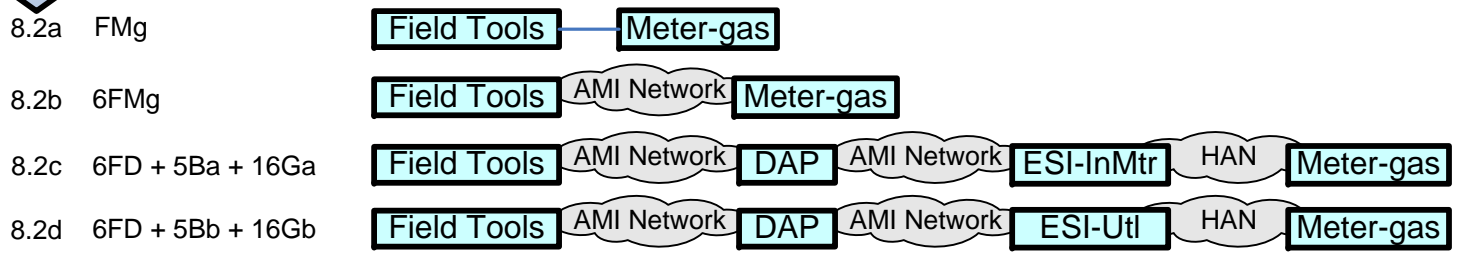
Communication Path Decision Points – set 3



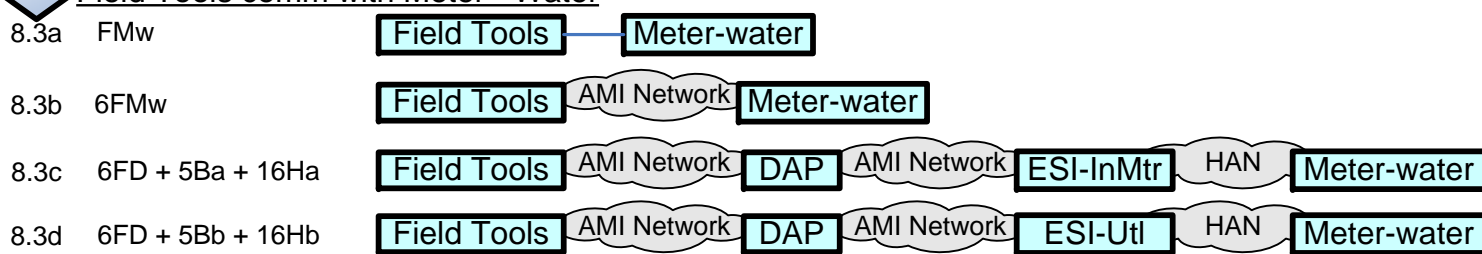
**8.1** Field Tools comm with Meter - Electr



**8.2** Field Tools comm with Meter - Gas

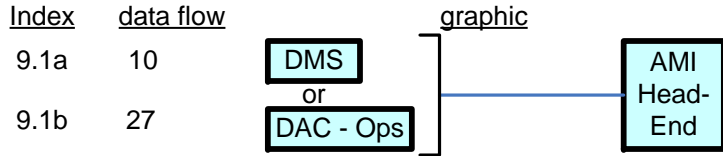


**8.3** Field Tools comm with Meter - Water

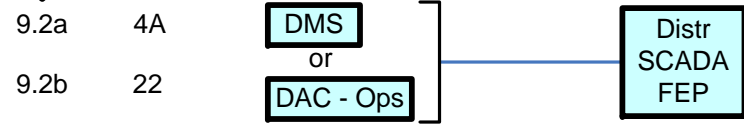


# Communication Path Decision Points – set 4

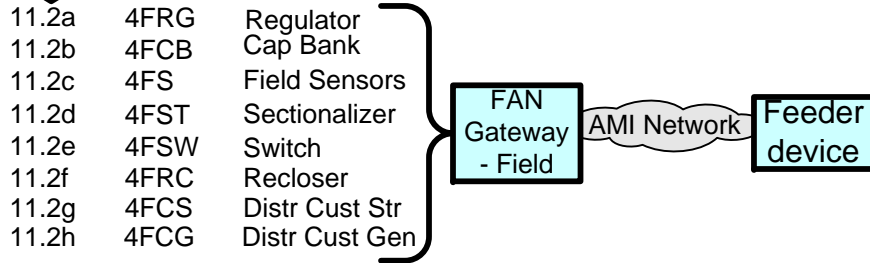
## 9.1 Distr Ops Actor comm with AMI Head-End



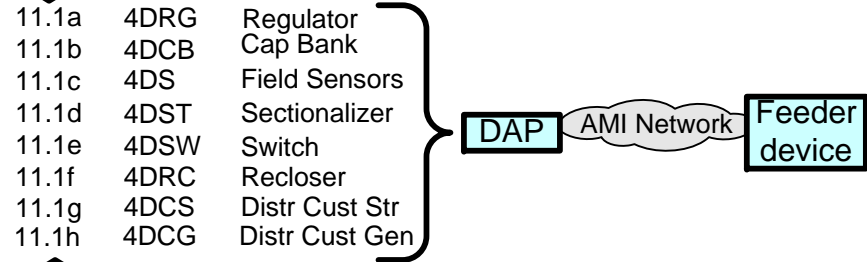
## 9.2 Distr Ops Actor comm with Distr SCADA FEP



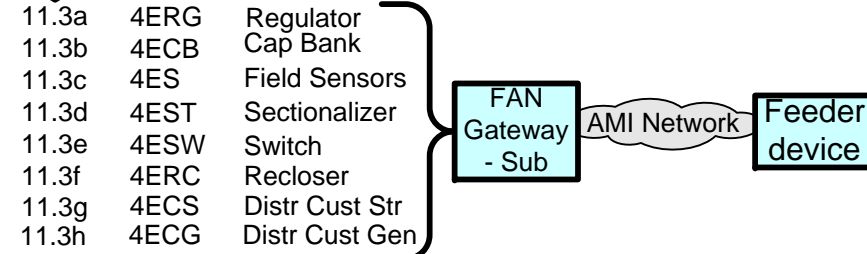
## 11.2 Fan Gateway - Field comm with Feeder device



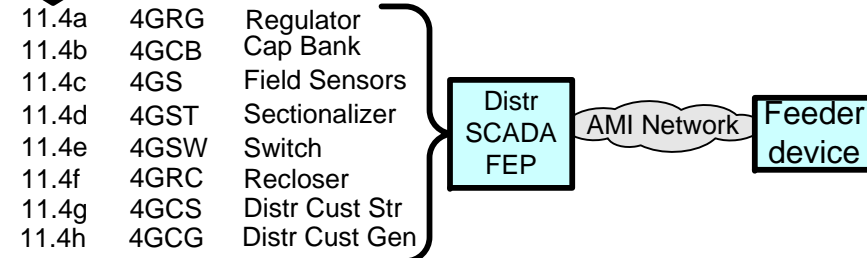
## 11.1 DAP comm with Feeder device



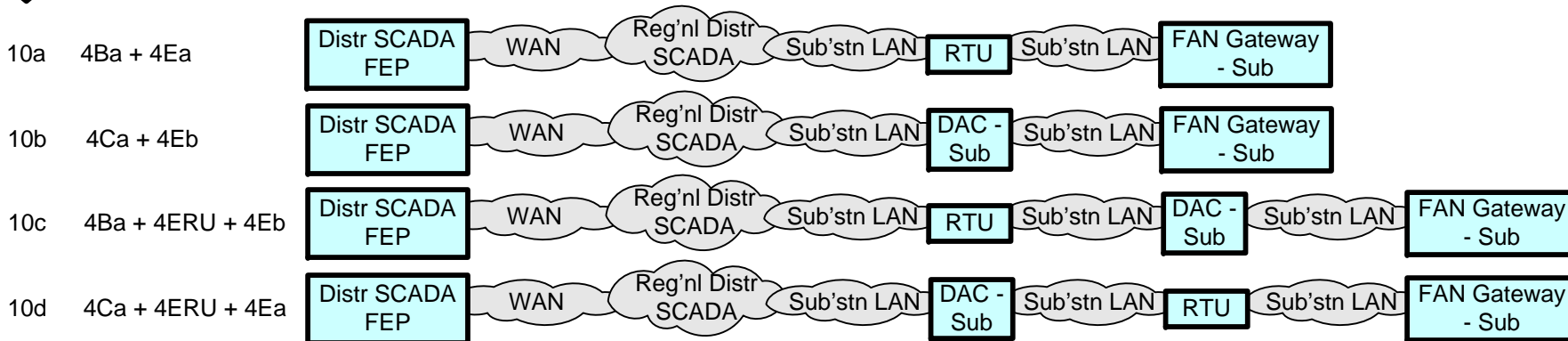
## 11.3 Fan Gateway - Substation comm with Feeder device



## 11.4 Distr SCADA FEP comm with Feeder device

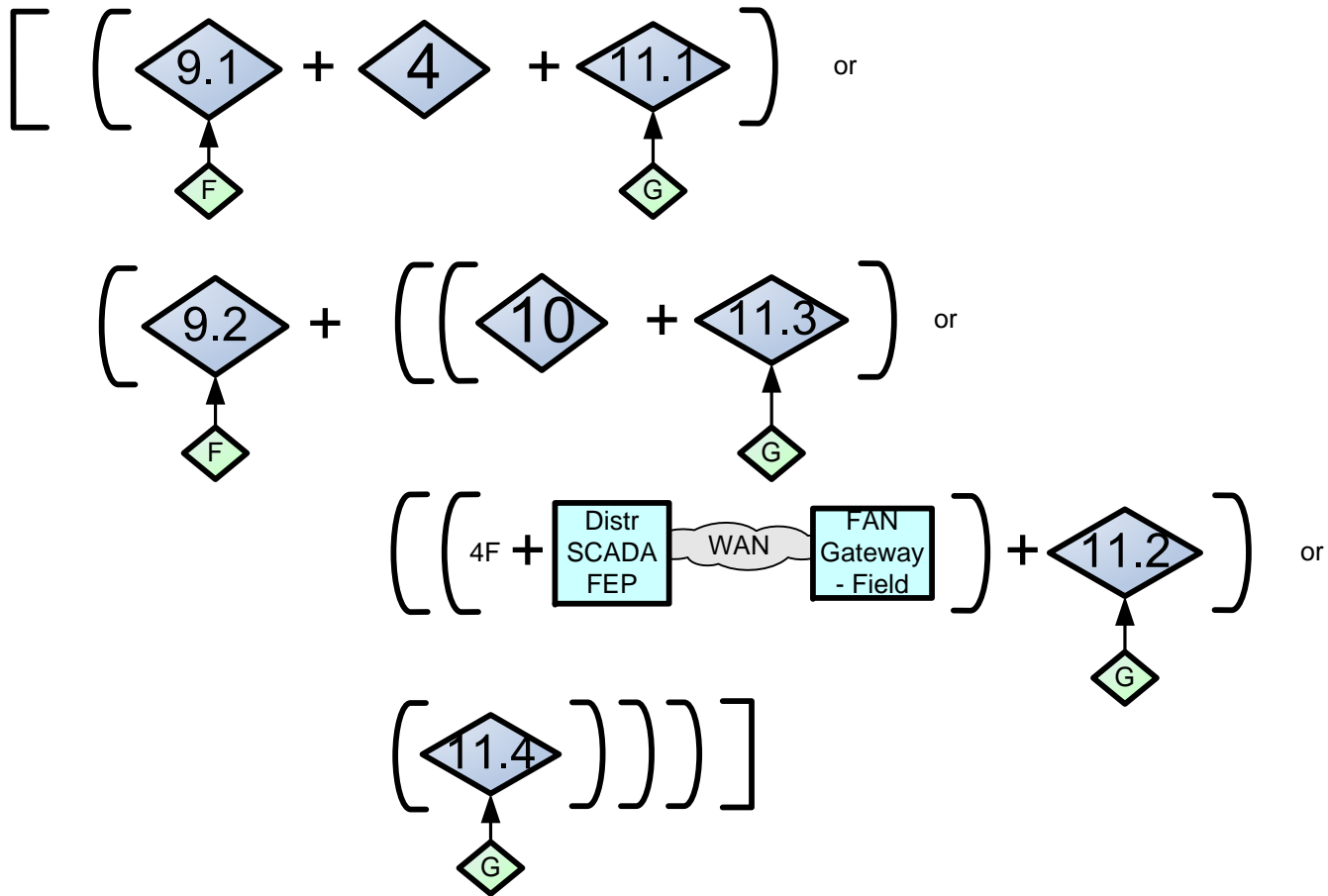


## 10 Distr SCADA FEP comm with FAN Gateway



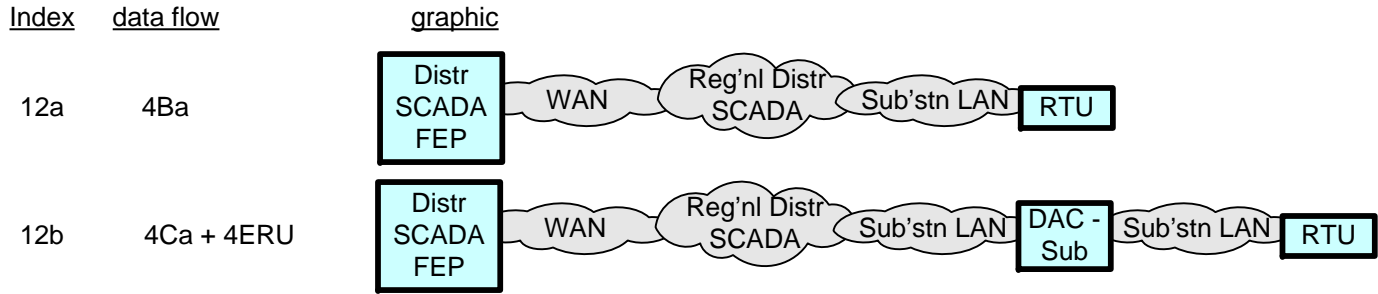
# Communication Path Decision Points – set 5

## Distr Ops Actor comm with Feeder device Decision Set

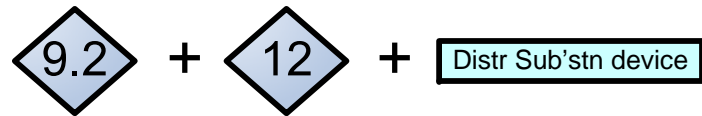


# Communication Path Decision Points – set 6

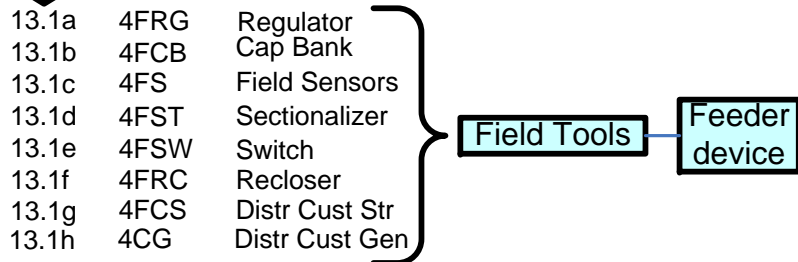
## 12 Distr SCADA FEP comm with Distr Substation RTU



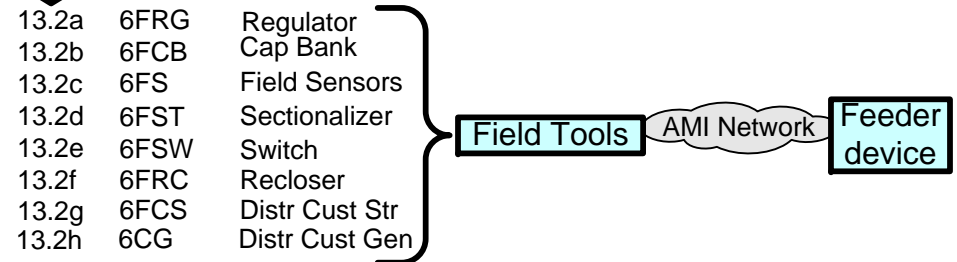
## Distr Ops Actor comm with Distr Substation device Decision Set



## 13.1 Field Tools comm with Feeder devices - direct



## 13.2 Field Tools comm with Feeder devices via FAN



## Distr SCADA FEB comm with Feeder device Decision Set

