

# Communication Path Decision Points – pg 0

**A** Utility System of Record for HAN device Join and Un-Join per offered program

A1 CIS / Billing - Utility

A2 MDMS

**B** Which Utility or REP actor for DR-DLC or Price to Meter – Electr and HAN devices

B1 DSM

B2 LMS

**C** What ESIs are in deployment?

C1 ESI - InMtr

C2 ESI - Utl

C3 ESI – 3<sup>rd</sup> Pty

**D** What Meters are in deployment?

D1 2Way-Meter-electr

D2 2Way-Meter-gas

D3 2Way-Meter-water

**E** What HAN devices are in deployment?

E1 IPD

E2 Cust. EMS

E3 PCT

E4 Load Cntl Device

E5 EVSE/EUMD

E6 SmtAppl

E7 2Way-Meter-electr

E8 2Way-Meter-gas

E9 2Way-Meter-water

**F** Which DAC is in deployment?

F1 DAC - Ops

F2 DAC - Distr

**G** What Feeder devices are in deployment?

G1 Regulator

G2 Cap Bank

G3 Fird Sensor

G4 Sectionalizer

G5 Switch

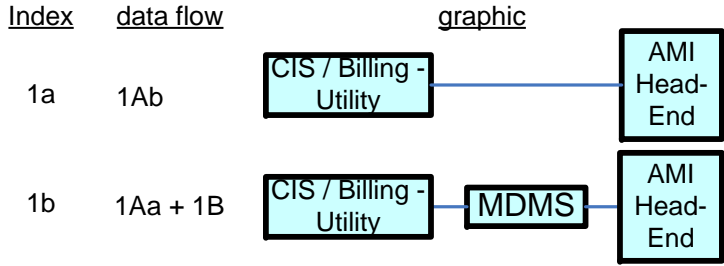
G6 Recloser

G7 Distr Cust Str

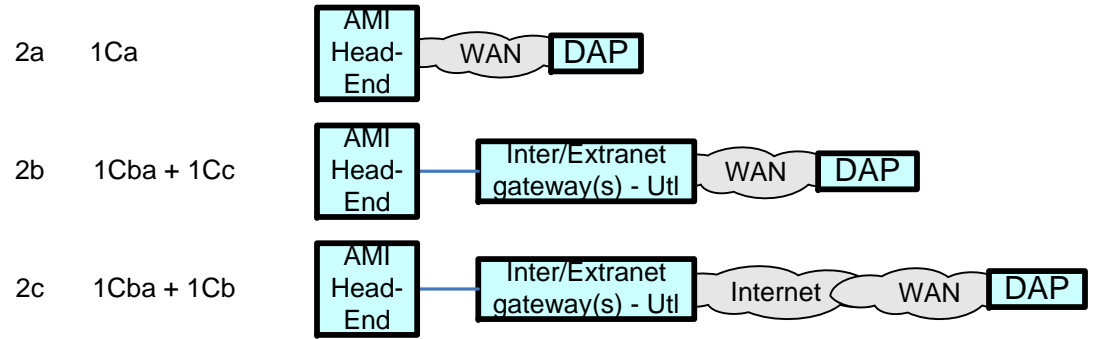
G8 Distr Cust Gen

# Communication Path Decision Points – set 1

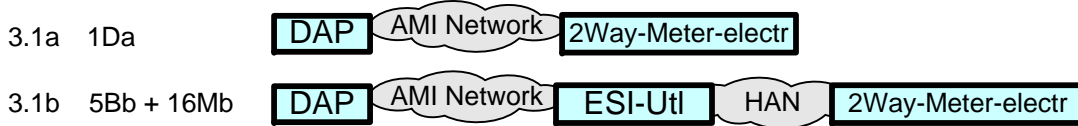
## 1 CIS/Billing – Utility comm with AMI Head-End



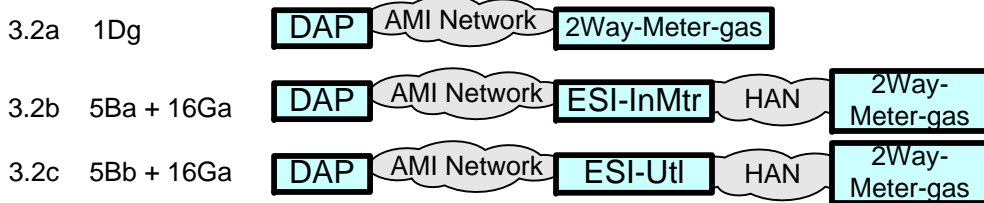
## 2 AMI Head-End comm with DAP



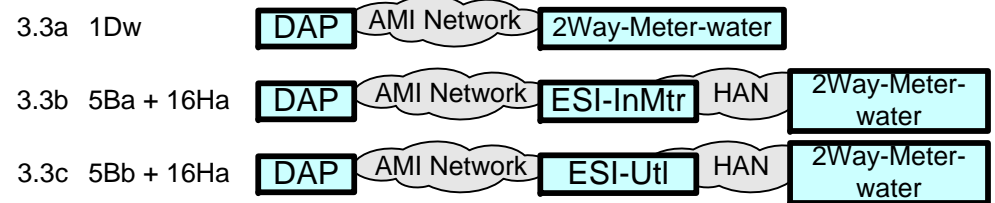
## 3.1 DAP comm with Meter - Electr



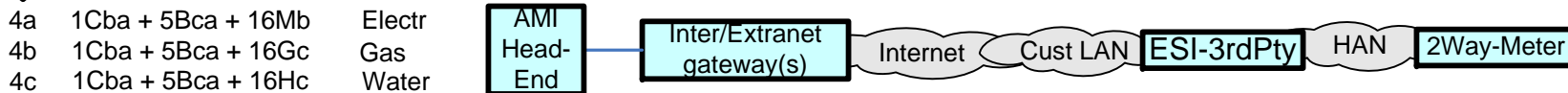
## 3.2 DAP comm with Meter - Gas



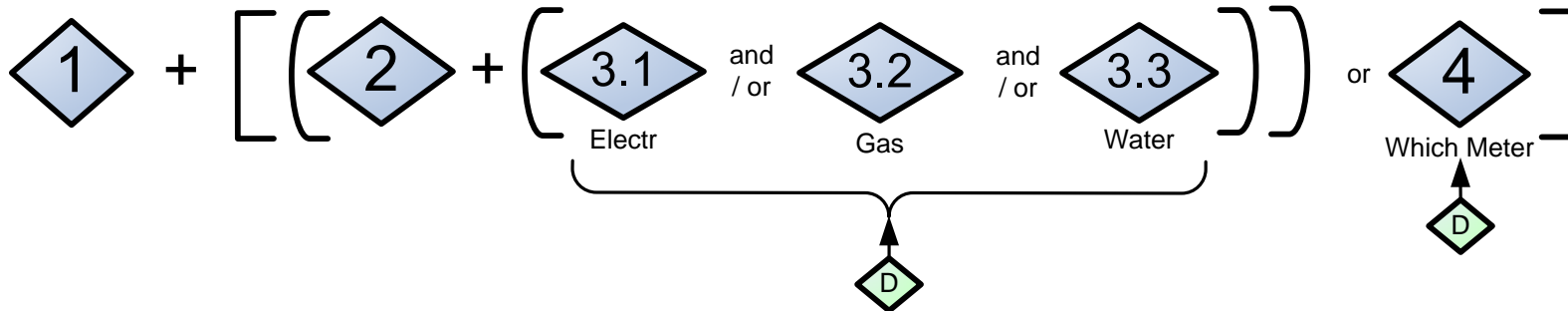
## 3.3 DAP comm with Meter - Water



## 4 AMI Head-End comm with Meters via ESI 3<sup>rd</sup> Party

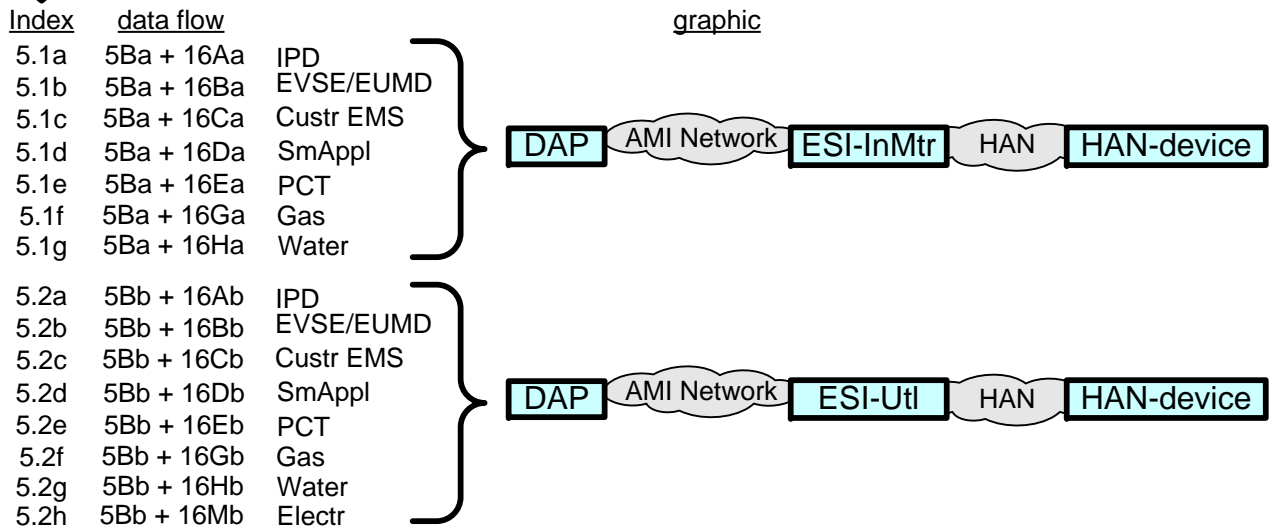


## CIS / Billing - Utility comm with Meter(s) Decision Set

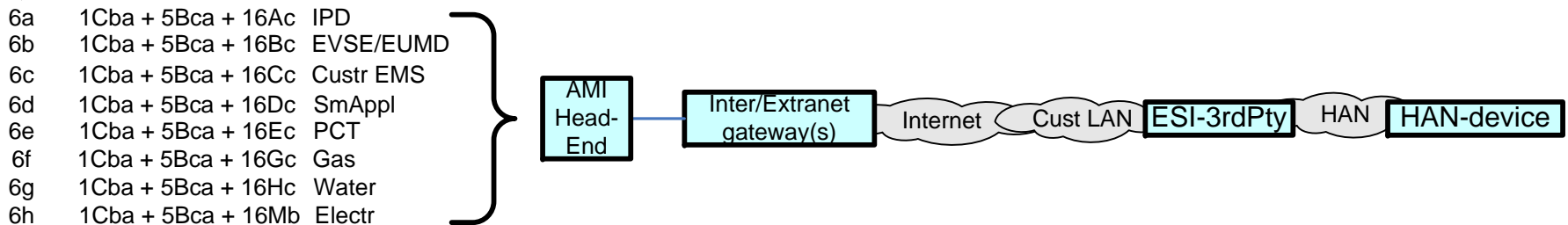


# Communication Path Decision Points – set 2

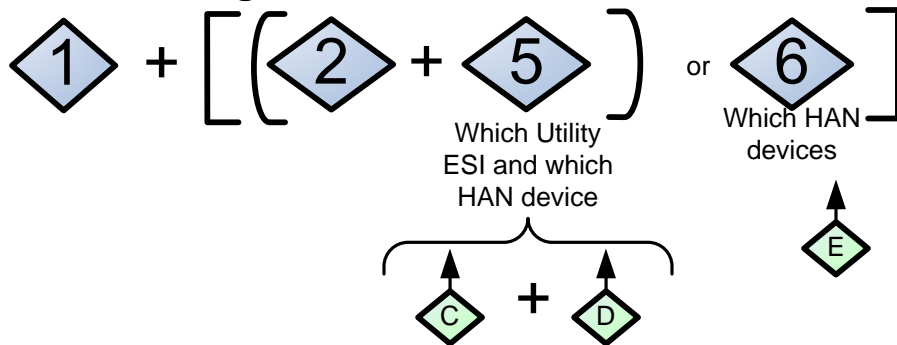
## 5 DAP comm with HAN devices via Utility ESIs



## 6 AMI Head-End comm with HAN devices via ESI 3<sup>rd</sup> Party

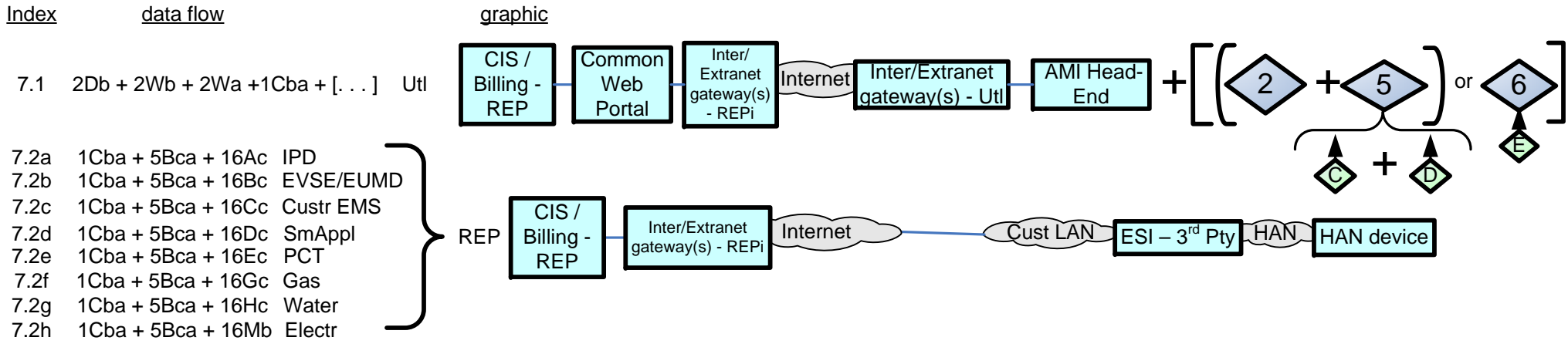


### CIS/Billing - Utl comm with HAN devices Decision Set

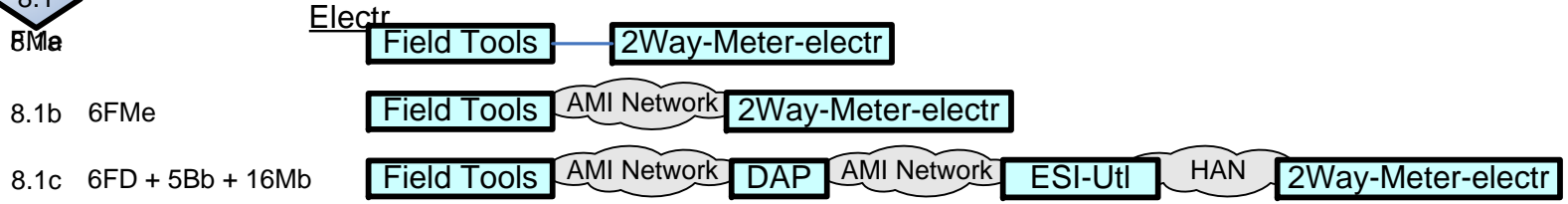


**7** CIS/Billing – REP comm with HAN devices

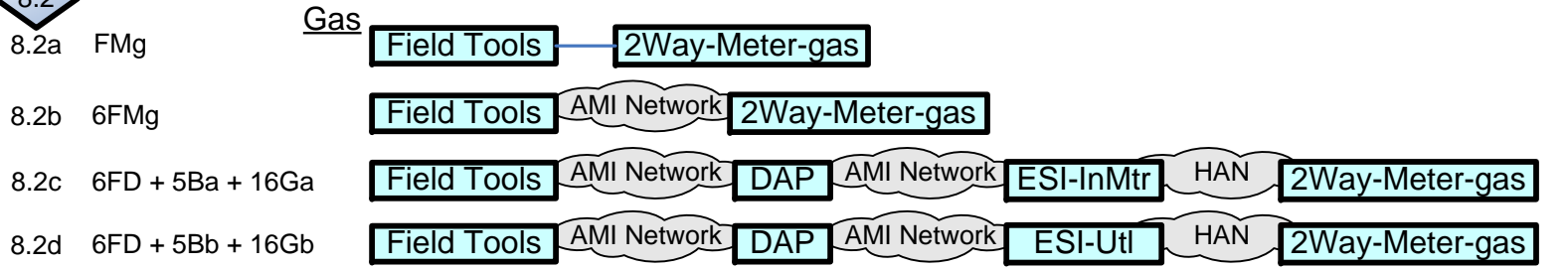
Communication Path Decision Points – set 3



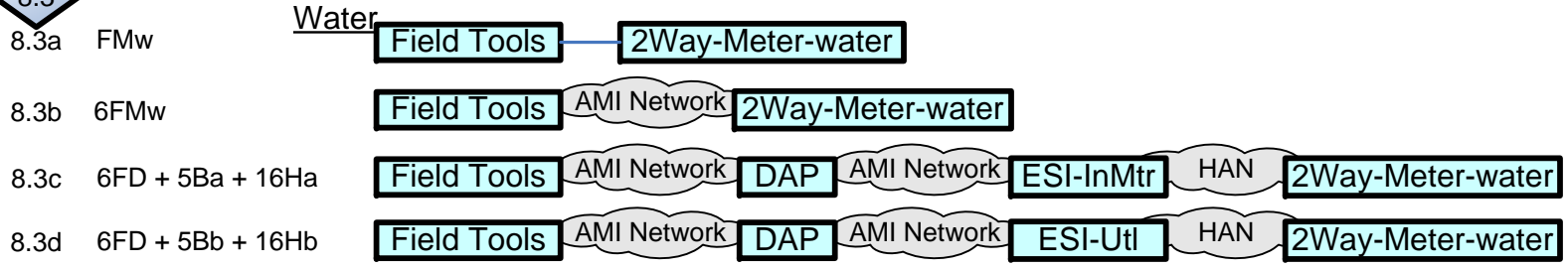
**8.1** Field Tools comm with 2Way-Meter - Electr



**8.2** Field Tools comm with 2Way-Meter - Gas

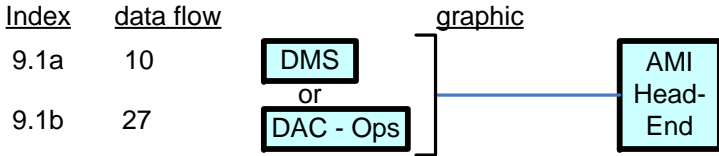


**8.3** Field Tools comm with 2Way-Meter - Water

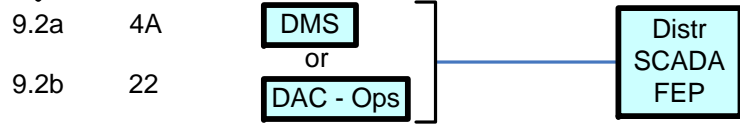


# Communication Path Decision Points – set 4

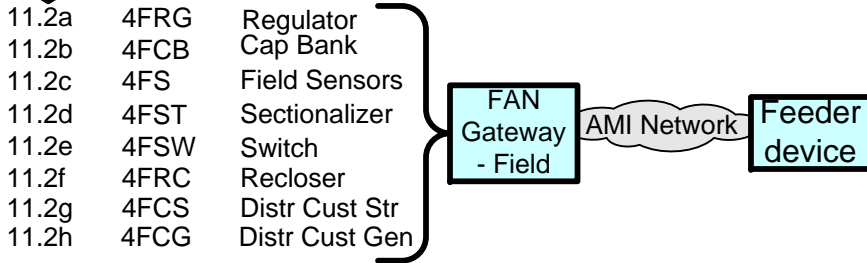
## 9.1 Distr Ops Actor comm with AMI Head-End



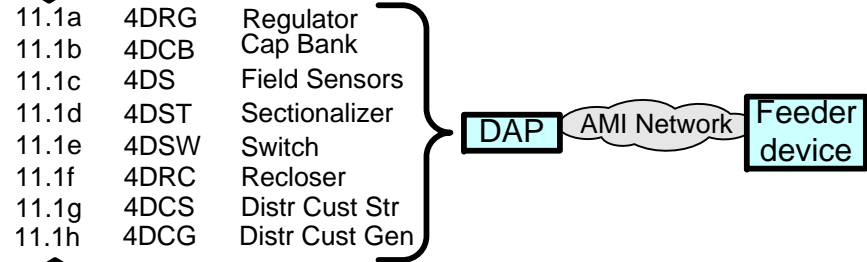
## 9.2 Distr Ops Actor comm with Distr SCADA FEP



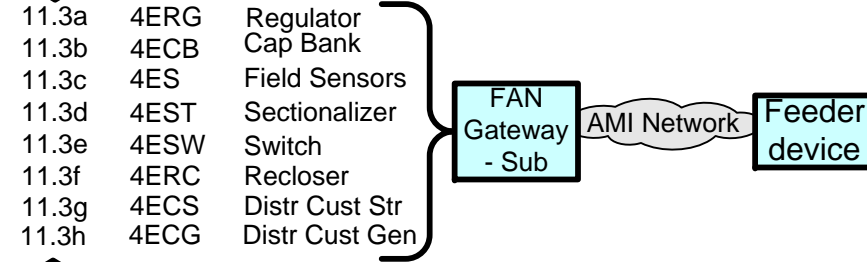
## 11.2 Fan Gateway - Field comm with Feeder device



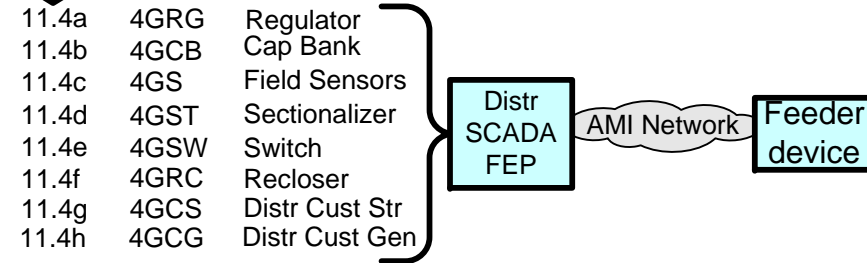
## 11.1 DAP comm with Feeder device



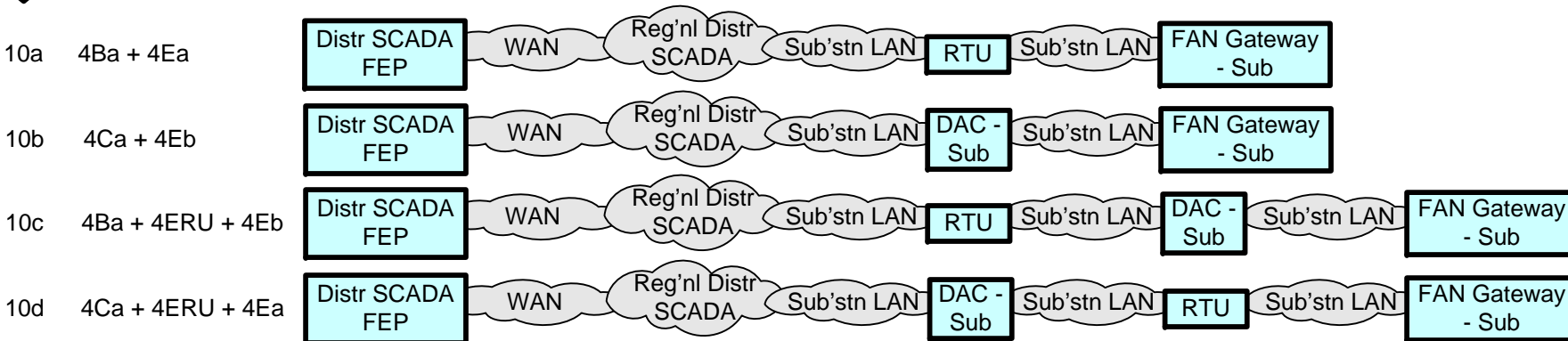
## 11.3 Fan Gateway - Substation comm with Feeder device



## 11.4 Distr SCADA FEP comm with Feeder device

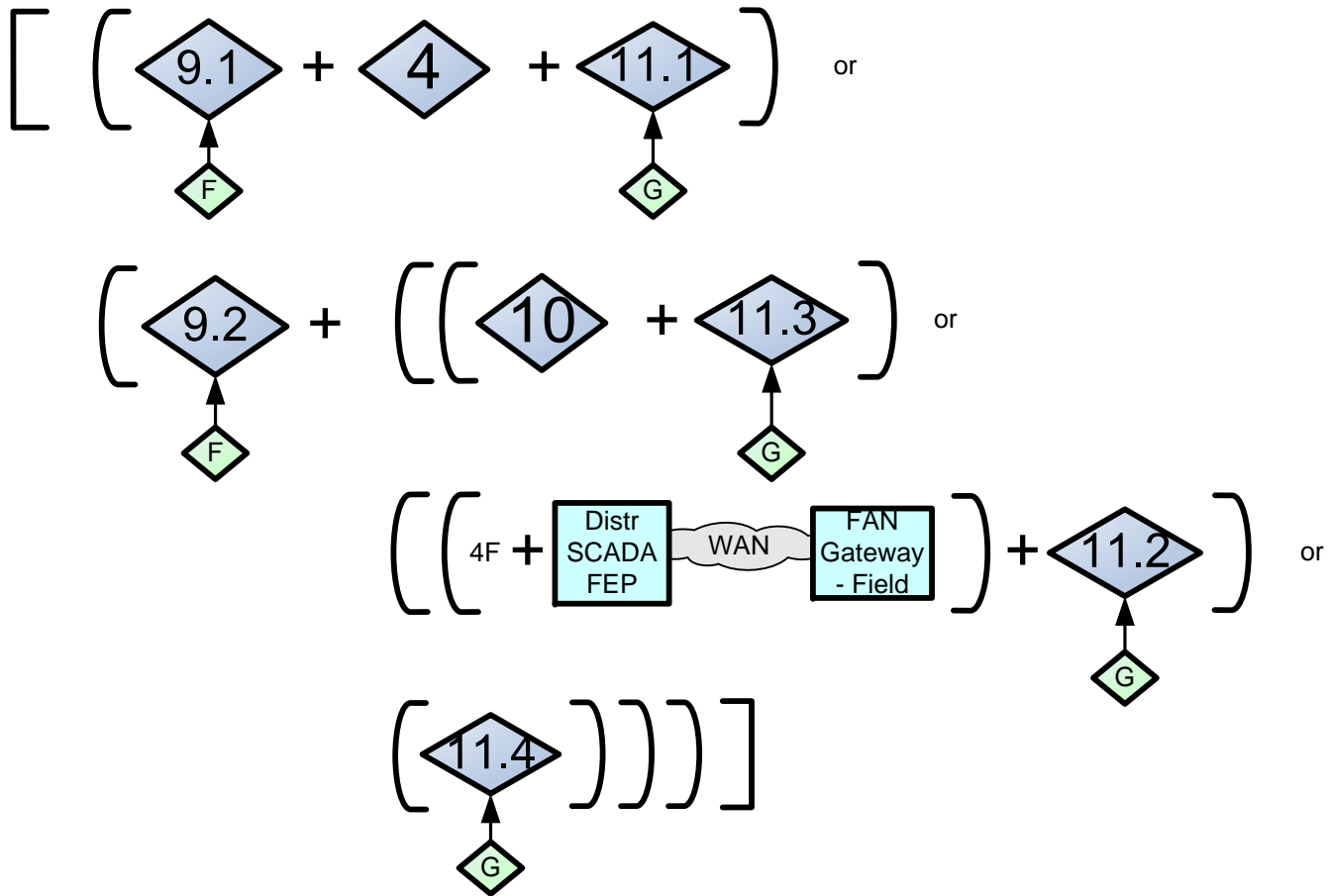


## 10 Distr SCADA FEP comm with FAN Gateway



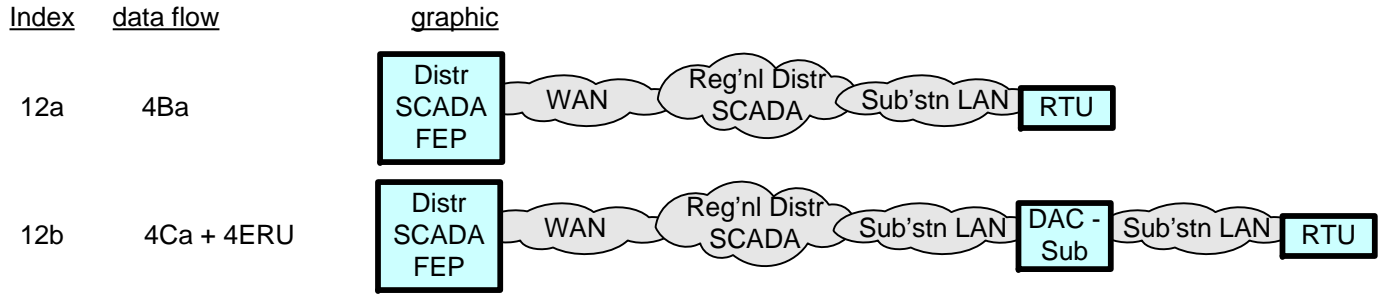
# Communication Path Decision Points – set 5

## Distr Ops Actor comm with Feeder device Decision Set

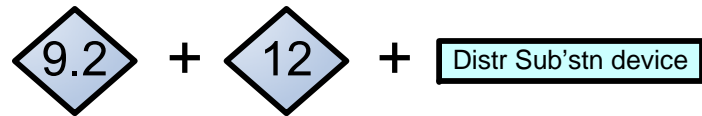


# Communication Path Decision Points – set 6

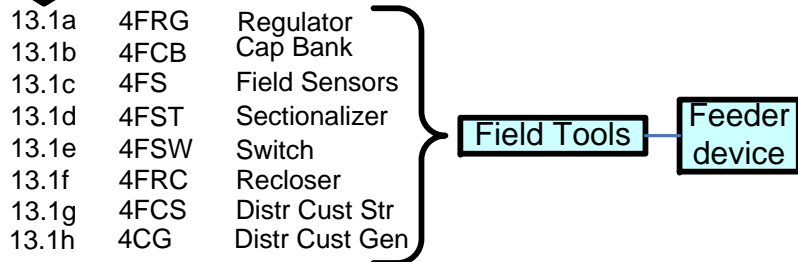
## 12 Distr SCADA FEP comm with Distr Substation RTU



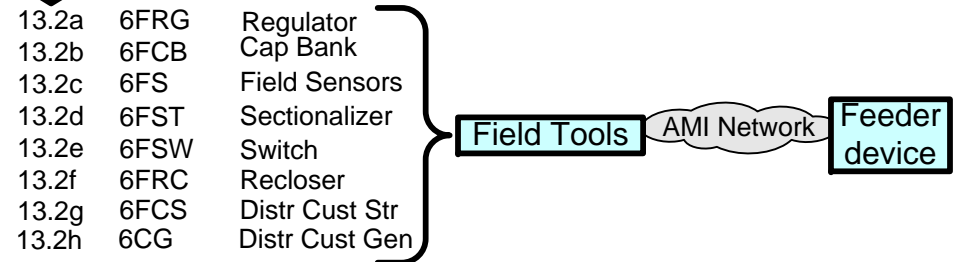
## Distr Ops Actor comm with Distr Substation device Decision Set



## 13.1 Field Tools comm with Feeder devices - direct



## 13.2 Field Tools comm with Feeder devices via FAN



## Distr SCADA FEB comm with Feeder device Decision Set

